

Technical Information

MOBIREX MR 110i EVO2



Track-mounted impact crusher

For use in natural stone and recycling

MOBIREX EVO2

Series

HIGHLIGHTS

- > Optimised material flow as a result of increasing system widths
- > Hydraulic gap setting
- > Simple and intuitive SPECTIVE control concept
- > Efficient and powerful D-DRIVE diesel-direct drive
- > High-performance post screening units with oversize grain return (option)

MOBIREX MR 110i EVO2 mobile impact crusher

The MOBIREX MR 110i EVO2 mobile impact crusher can be deployed universally and produces first-class final product quality. With a crusher inlet of 44" and numerous technical highlights, an impressive production rate can be achieved with outstanding cost-effectiveness.

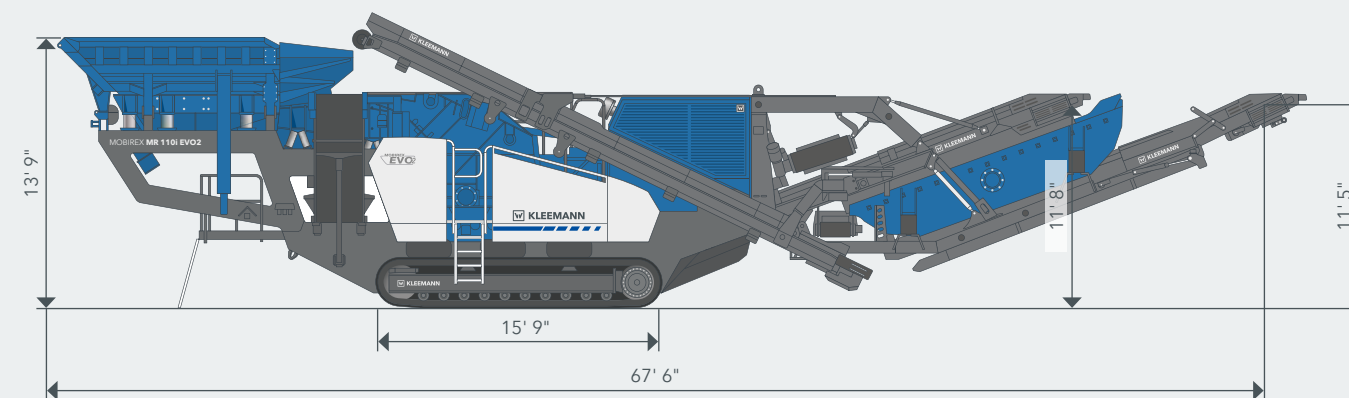


TECHNICAL DATA MR 110i EVO2

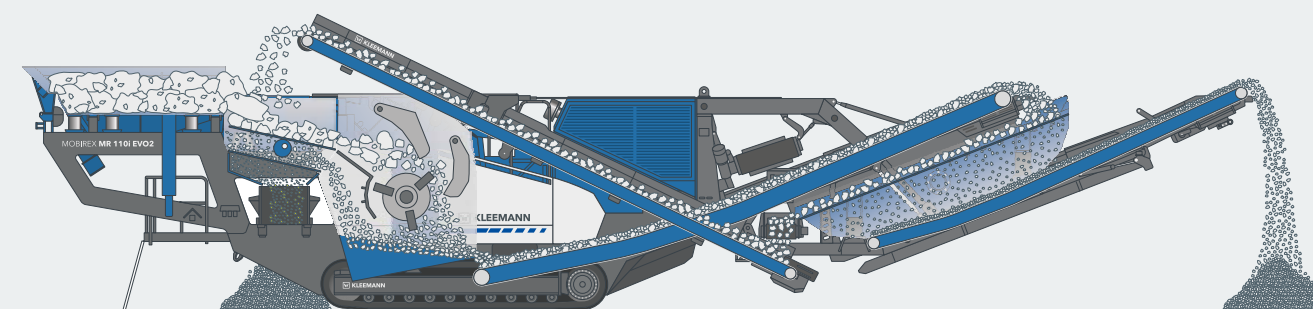
Feeding unit	
Feed capacity up to approx. (US t/h)	386 ¹⁾
Max. feed size	35" x 22"
Feed height (with extension)	13' 9" (14' 11")
Hopper volume (with extension) (yd ³)	5.8 (10.5)
Width x length (with extension)	6' 11" x 12' 2" (9' 2" x 12' 2")
Vibrating feeder	
Width x length	36" x 8' 6"
Prescreening	
Type	Double-deck heavy-duty screen
Width x length	40" x 6' 11"
Side discharge conveyor rigid (optional)	
Width x length (extended)	26" x 13' 1" (19' 8")
Discharge height approx. (extended)	9' 6" (12')
Crusher	
Impact crusher type	SHB 110-080
Crusher inlet width x height	44" x 31"
Crusher weight approx. (lbs)	28,650
Rotor diameter	43"
Crusher drive type, approx. (hp)	direct, 416
Type of impact toggle adjustment	infinitely variable, fully hydraulic
Crushing capacity with demolished concrete up to approx. (US t/h)	265 ²⁾
Crushing capacity with rubble up to approx. (US t/h)	265 ²⁾
Crushing capacity with demolished asphalt up to approx. (US t/h)	226 ³⁾
Crushing capacity with limestone up to approx. (US t/h)	292 ²⁾

Discharge chute	
Width x length	48" x 7' 10"
Crusher discharge conveyor	
Width x length	48" x 30' 6"
Discharge height approx.	11' 8"
Power supply unit	
Drive concept	diesel-direct ⁴⁾
Scania (Tier 4f/Stage IV) (hp)	493 (1,800 rpm)
Generator (kVA)	135
Post screening unit (optional)	
Single-deck post screening unit	
> Width x length	4' 5" x 14' 11"
> Return conveyor	20" x 29' 10"
> Discharge height of fine grain discharge conveyor approx.	11' 5"
Double-deck post screening unit	
> Width x length	4' 5" x 14' 11"
> Return conveyor	20" x 29' 10"
> Discharge height of fine grain discharge conveyor approx.	11' 5"
Transport	
Transport dimensions without options	
> Transport height	11' 10"
> Transport length approx.	56' 11"
> Max. transport width	9' 10"
Transport dimensions with post screening unit	
> Transport length with screening unit	69' 3"
> Transport width with screening unit	10'
Transport weight	
> Transport weight of screening unit (lbs)	18,520
> Transport weight of basic plant - max. configuration (lbs)	120,150 - 133,500

OPERATING POSITION



MATERIAL FLOW



The MOBIREX MR 110i EVO2 stands out with its optimal material flow concept: The system widths are increased over the entire plant in the direction of material flow. This means that the material flow is not restricted and material bridging can be effectively avoided. The Continuous Feed System makes the operator's work easier,

as the machine automatically regulates a homogeneous material flow, ensuring optimum loading of the crusher.

Thanks to the optional double-deck post screening unit, 2 classified final products can be produced.

¹⁾ Depending on type and composition of feed material, feed size, primary screening as well as target final grain size

²⁾ With final grain size 0" - 1.8" with approx. 10 - 15 % oversize grain

³⁾ With final grain size 0" - 1.3" with approx. 10 - 15 % oversize grain

⁴⁾ All electric ancillary drives

STANDARD EQUIPMENT

- > Hydraulically folding feed hopper, can be operated from ground
- > Frequency-controlled vibrating feeder
- > Frequency-controlled prescreen
- > Prescreen covering with slotted grate or punched plate (upper deck) and wire cloth (lower deck)
- > Extended side discharge conveyor 19' 8", rigid: can be mounted on left or right, discharge height approx. 12', must be dismantled for transport, inc. spray system
- > Quick Track for setting machine operating mode quickly and easily, operation via radio remote control
- > Impact crusher with rotor ledge set made of martensitic
- > Continuous feed system (CFS) for optimum crusher loading
- > Automatic crusher gap adjustment
- > Integrated overload protection
- > Rotor lock & turn device: system for securely turning and locking the rotor for maintenance tasks or clearing blockages
- > Permanent magnet separator, magnet preparation
- > Post screening unit, in convenient container dimensions, hook lift compatible inc. spray system
- > Swivel arm for changing rotor ledges
- > SPECTIVE control concept: menu-guided user interface, 12-inch control panel; telematics system WITOS FleetView for efficient fleet and service management
- > Lockable control cabinet, dust and vibration protected
- > LED lighting
- > Water spray system for dust reduction

OPTIONS

- > Hopper extension: hydraulically folding
- > Side discharge conveyor 13' 1", rigid: can be mounted on left or right, discharge height 9' 6", must be dismantled for transport, inc. spray system
- > Side discharge conveyor belt cover (sheet metal) in connection with rigid side discharge conveyor
- > Side discharge conveyor, hydraulically folding, can be mounted on both sides, discharge height 9' 6", remains on machine during transport, inc. spray system
- > Climate packages: hot climate or cold climate package
- > Ergonomic power pack enclosure for insulating noise sources
- > Electromagnetic separator
- > Belt scales, available for crusher discharge conveyor and fine grain conveyor (secondary screening unit)
- > Air classifier for cleaning oversize grain from foreign matter and lightweight matter through 15 hp blower with air outlet under transfer conveyor. Only available in connection with screening unit option
- > Trackpads for crawler chassis for protection of ground
- > Premium lighting

WIRTGEN AMERICA

6030 Dana Way
 Antioch, TN 37013
 USA

T: +1 615 501 0600
 M: info.america@wirtgen-group.com

www.wirtgen-group.com/america

