

Slipform Paver for Cost-Effective, Large-Scale Concrete Paving

SLIPFORM PAVER SP 124(i)



SLIPFORM PAVER FOR COST-EFFECTIVE, LARGE-SCALE CONCRETE PAVING



The inset slipform paver is the perfect choice for the cost-effective paving of large concrete surfaces ranging from 4.5 m to 12.0 m wide and 450 mm thick.

The slipform paver can be easily adapted to any job site situation due to the machine frame that can be hydraulically telescoped lengthwise and mechanically telescoped sideways.

Standard-configuration with four track units on hydraulic swing legs that can be conveniently swung in for easier transportation and offer outstanding adaptability for all on-site situations.

Precise insertion of tie bars and dowel bars via self-loading dowel bar inserter (optional) enables concrete paving over reinforcing steel.

The intelligent, electronic steering and control concept ensures precise handling of the four crawler units and thus precise concrete paving.

WIRTGEN SLIPFORM PAVERS

OFFSET SLIPFORM PAVERS

- > Offset paving width up to 4.0 m¹⁾
- > Offset paving height up to 3.0 m¹⁾

PLACER / SPREADERS

- > Inset paving width up to 12.0 m¹⁾
- > Inset layer thickness up to 500 mm¹⁾

INSET SLIPFORM PAVERS

- > Inset paving width up to 16.0 m¹⁾
- > Inset paving height up to 450 mm¹⁾

TEXTURE CURING MACHINES

- > Working width up to 18.0 m
- > Working height up to 500 mm

¹⁾ Special paving widths, paving thicknesses, paving heights, and other options available on request

OVERVIEW OF HIGHLIGHTS

Perfectly Equipped

MACHINE CONCEPT

01 Heavy-Duty Machine Design

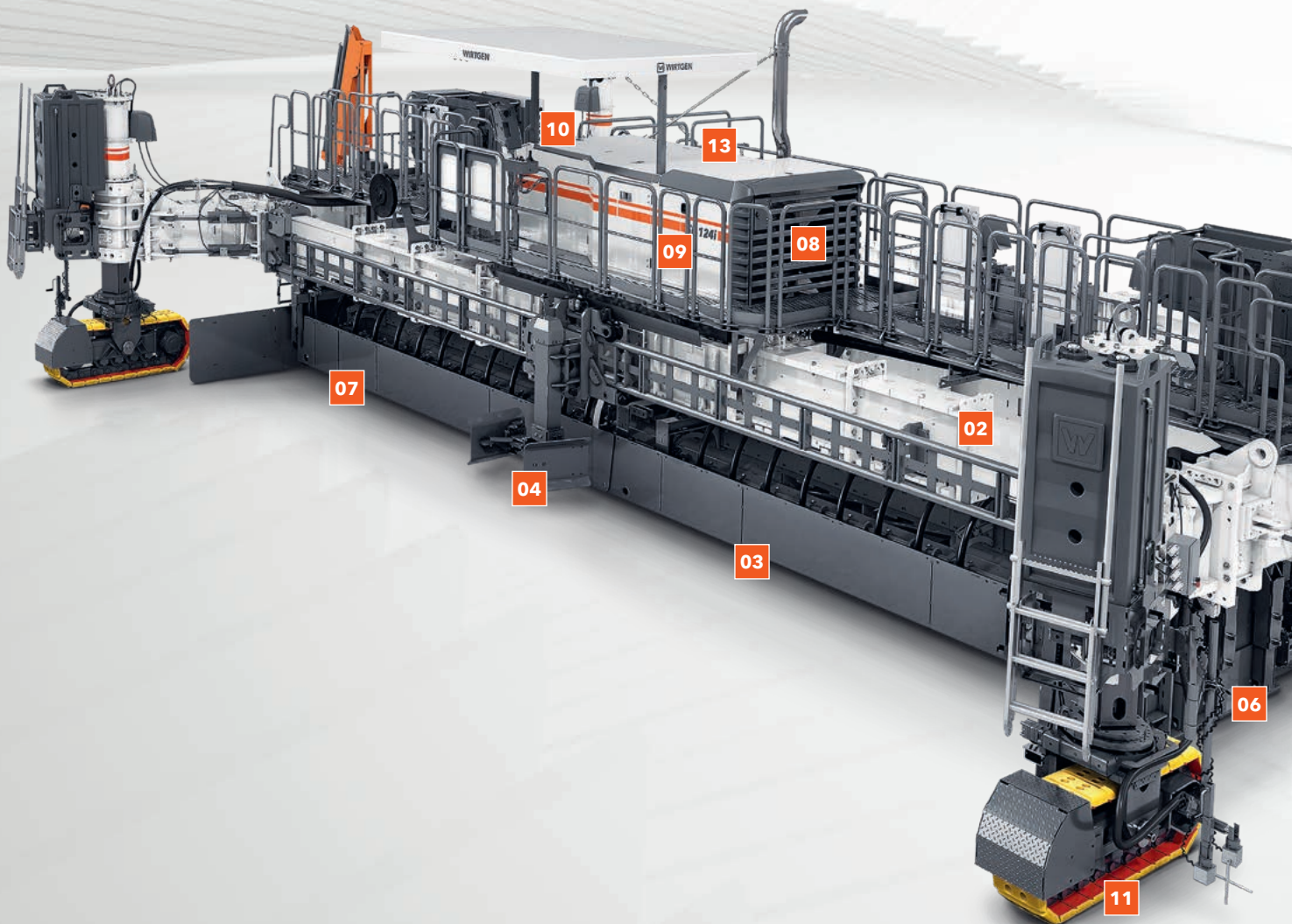
The heavy-duty machine design guarantees consistently high performance rates in concrete paving as well as precise paving results even in difficult site conditions.

02 Fully Modular Machine Layout

The paver's fully modular design is synonymous with flexible modification, easy retrofitting of optional equipment features and application-specific adjustment to site conditions.

03 Intelligent Transport Concept

Compact dimensions and minimum modification requirements ensure ease of loading and cost-effective transport. Depending on the paver's configuration, the dowel bar inserter or oscillating beam, super smoother and concrete spreading equipment can remain mounted on the machine during transport.



CONCRETE EQUIPMENT

04 Exceptional Flexibility in Concrete Paving

The slipform paver achieves perfection in the highly precise paving of standard concrete slabs at widths ranging from 4.5 m to 12.0 m and layer thicknesses of up to 450 mm.

05 Proven Slab Paving Mold

The machine can be fitted with 910 wm series metric inset slab paving molds which come with wearing pan as standard and crown as an optional feature.

06 Machine-Integrated Insertion of Steel Reinforcement

A self-loading dowel bar inserter with fully automatic dowel bar magazine, tie bar inserter(s) and side tie bar inserter(s) are available in accordance with customer requirements.

07 Alternative Compaction Technology

The machine can be equipped with a hydraulic or electric vibrator drive to comply with site requirements. It comes with 24 hydraulic connectors in standard design (optionally 30 or 36) but can optionally be fitted with 26 or 34 electric connectors.

ENGINE TECHNOLOGY AND OPERATION

08 Efficient Engine Management

The ECO mode feature automatically adjusts the engine output to current performance requirements, thus ensuring diesel efficiency and low noise emissions.

09 State-Of-The-Art Engine Technology

The SP 124 features state-of-the-art, high-performance engine technology (max. 272 kW / 365 HP / 370 PS) complying with exhaust emission standards EU Stage 3a / US EPA Tier 3. The SP 124i features state-of-the-art, high-performance engine technology (321 kW / 430 HP / 436 PS) complying with exhaust emission standards EU Stage 5 / US EPA Tier 4f.

10 Perfection in Ergonomic Design and Handling

Relaxed working is ensured by the ergonomically designed workplace offering perfect visibility and an intuitive operating concept standardized for all SP model ranges.

MACHINE CONTROL AND STEERING

11 High-Precision Steering and Drive Systems

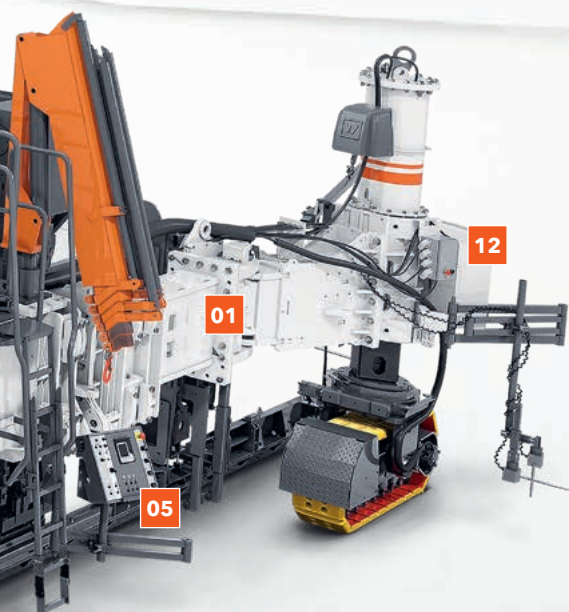
Intelligent steering and control systems for exceedingly smooth operation even in narrow bends ensure precision in concrete paving.

12 Machine Control Systems with Advanced Intelligence

The efficient WIRTGEN WITOS FleetView telematics system supports fleet management, machine position and status monitoring, as well as maintenance and diagnostic procedures.

13 Field-Proven 3d Interface

The field-proven interface guarantees tested compatibility with the 3D control systems of leading suppliers.







The inset slipform paver is the perfect choice for the cost-effective paving of large concrete surfaces ranging from 4.5 m to 12.0 m wide and 450 mm thick. The slipform paver can be easily adapted to any job site situation due to the machine frame that can be hydraulically telescoped lengthwise and mechanically telescoped sideways. Standard-configuration with four track units on hydraulic swing legs that can be conveniently swung in for easier transportation and offer outstanding adaptability for all on-site situations.



TECHNICAL SPECIFICATIONS	SP 124	SP 124 i
Range of Applications		
Slab paving application without crown	Paving width: 4.50 - 12.00 m ¹⁾ Layer thickness: up to 450 mm ¹⁾	
Slab paving application with crown	Paving width: 4,50 - 12,00 m ¹⁾ Layer thickness: up to 450 mm ¹⁾	
Concrete Spreading Equipment		
Spreading plough	Modular extension to up to 12.00 m	
Slab Paving Equipment		
Slab paving mold type 910 mm (without wearing pan, without crown feature)	Modular extension to up to 12.00 m	
Slab paving mold type 910 mm (with wearing pan, with or without crown feature)	Modular extension to up to 12.00 m	
Oscillating beam	Modular extension to up to 12.00 m	
Super smoother	Modular extension to up to 12.00 m	
Vibrators and Circuits		
Hydraulic vibration	24 connectors (optional: 30 or 36 connectors)	
Electric vibration	26 connectors (optional: 34 connectors)	
Hydraulically driven vibrators	Curved (D66)	
Electrically driven vibrators	Curved (D76)	
Engine		
Engine manufacturer	Cummins	Cummins
Type	QSL-8.9 C-365	L9 C430
Cooling	Water	Water
Number of cylinders	6	6
Rated power at 2,100 rpm	272 kW / 365 HP / 370 PS	321 kW / 430 HP / 436 PS
Displacement	8,900 cm ³	8,900 cm ³
Fuel consumption, full load	74 l/h	79 l/h
Fuel consumption, 2/3 load	57 l/h	56 l/h
Exhaust emission standards	EU Stage 3a / US Tier 3	EU Stage 5 / US Tier 4f

TECHNICAL SPECIFICATIONS	SP 124	SP 124 i
Electrical System		
Voltage supply	24 V DC	
Electric vibration	110 V AC 3~ / 200 Hz	
Filling Capacities		
Fuel	660 l	
AdBlue® / DEF ²⁾	—	100 l
Hydraulic oil, electric vibration	300 l	
Hydraulic oil, hydraulic vibration	650 l	
Water	550 l + 550 l + 800 l	
Driving Performance		
Paving speed	0 - 12 m/min	
Travel speed	0 - 25 m/min	
Track Units		
Number	4	
Type B4: Dimensions (L x B x H)	2,090 x 430 x 712 mm	
Height Adjustment		
Hydraulic	1,000 mm	
Mechanical (hole pattern)	155 mm	
Crown		
Variable adjustment range	For paving widths from 4.50 m to 8.00 m: max. 3 % ³⁾ For paving widths from 8.00 m to 12.00 m: max. 2 % ³⁾	
Transport Dimensions (L x W x H)		
Paving width 4.50 m: Machine with slab paving mold type 910 mm, including spreading plough, oscillating beam and super smoother	11,400 x 3,500 x 3,200 mm	
Paving width 12.00 m: Machine with slab paving mold type 910 mm, including spreading plough, oscillating beam and super smoother	18,900 x 3,500 x 3,200 mm	
Machine weights		
Operating weight CE ⁴⁾	48,000 - 106,000 kg	

¹⁾ Please consult factory for special paving widths, layer thicknesses and optional equipment features

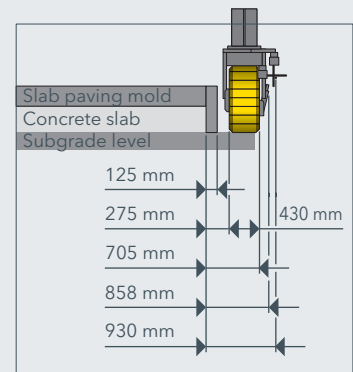
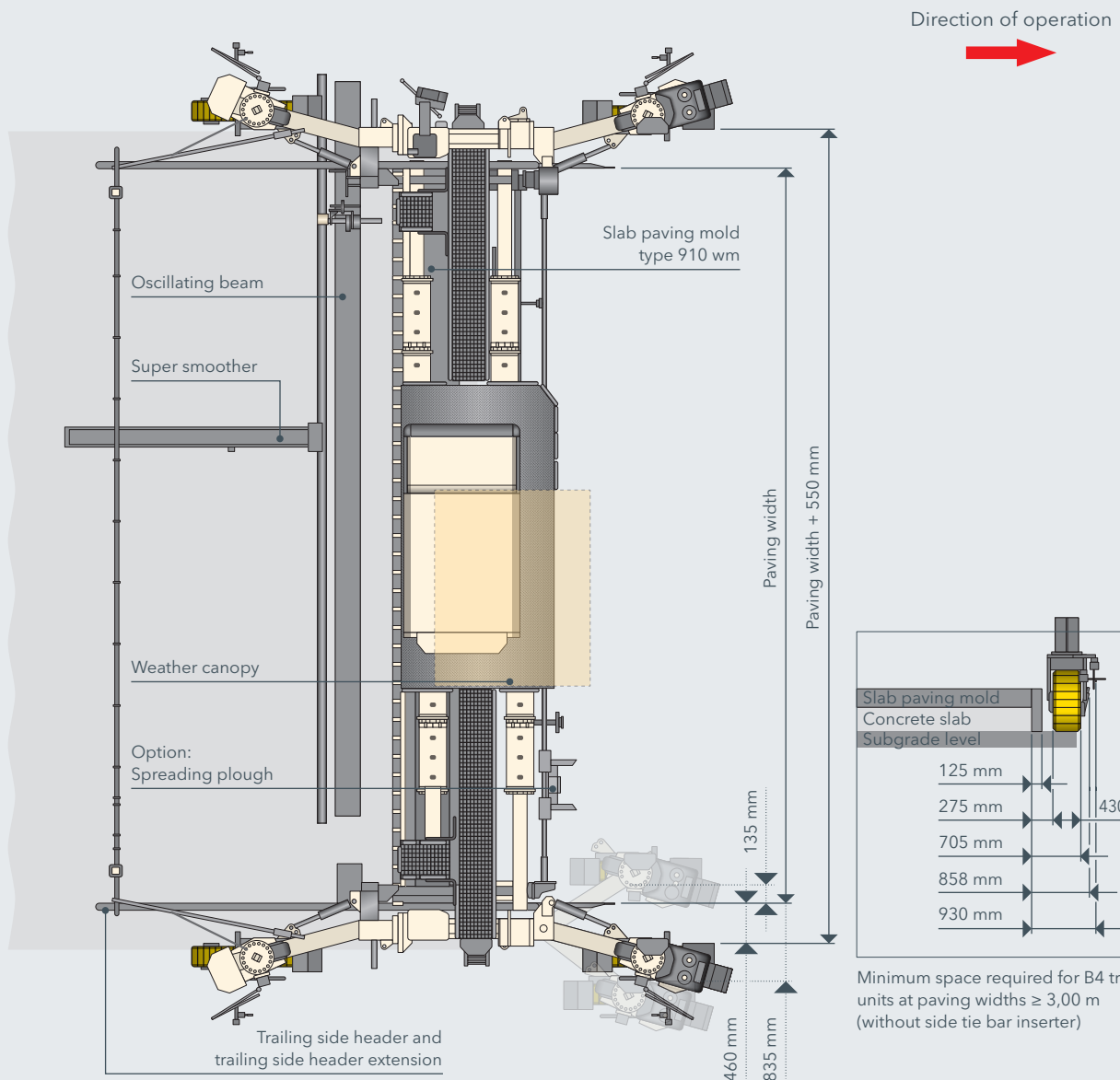
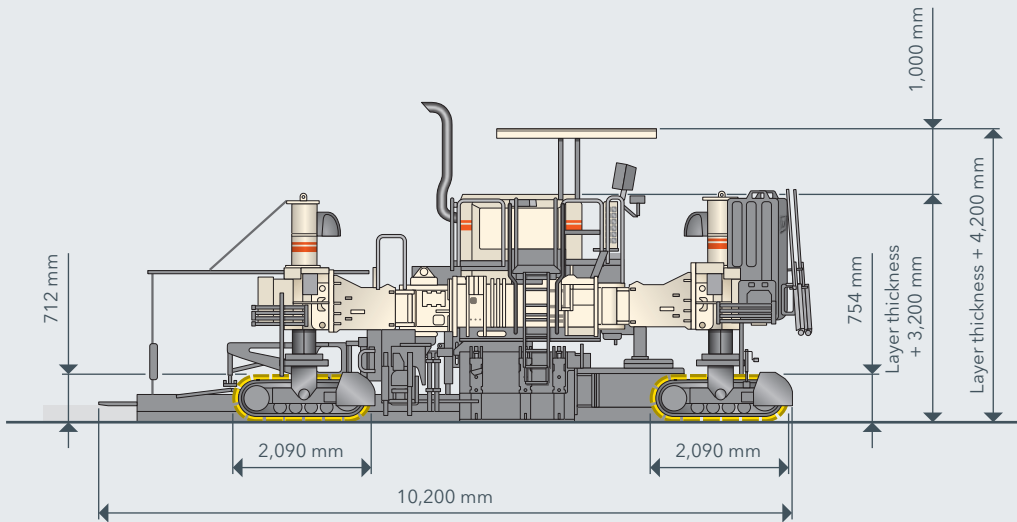
²⁾ AdBlue® is a registered trademark of the Association of the Automotive Industry (Verband der Automobilindustrie e. V.; VDA)

³⁾ Values within standard transport height; please consult factory for special dimensions

⁴⁾ Weight of machine, half weight of all consumables, machine operator (75 kg), on-board tool kit, no optional equipment; weights depend on the actual equipment installed and the working width

SIDE VIEW / TOP VIEW SP 124(i)

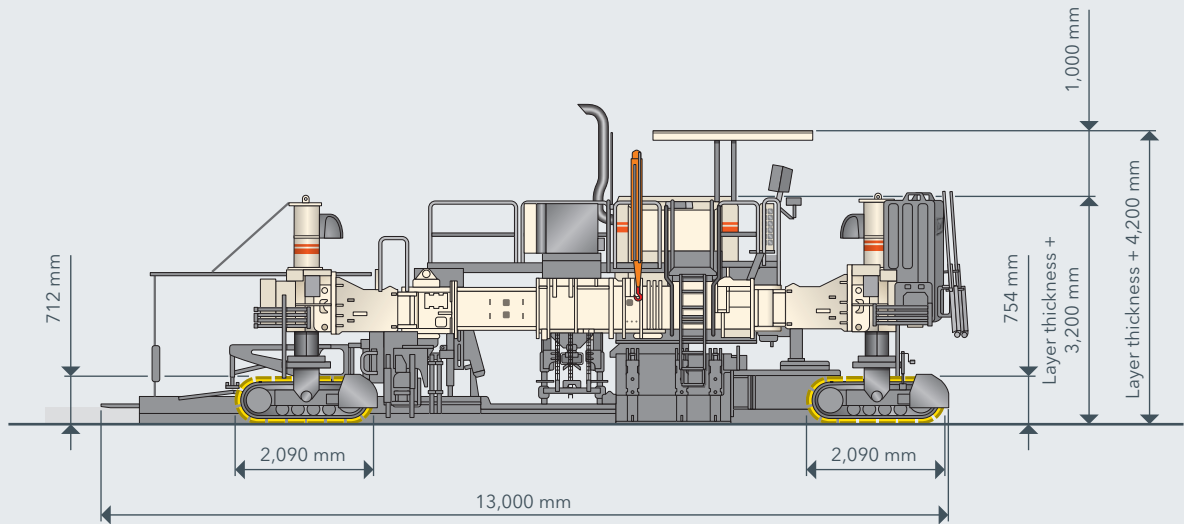
Paving situation: Slipform paver SP 124(i) equipped with spreading plough, slab paving mold type 910 mm, oscillating beam and super smoother



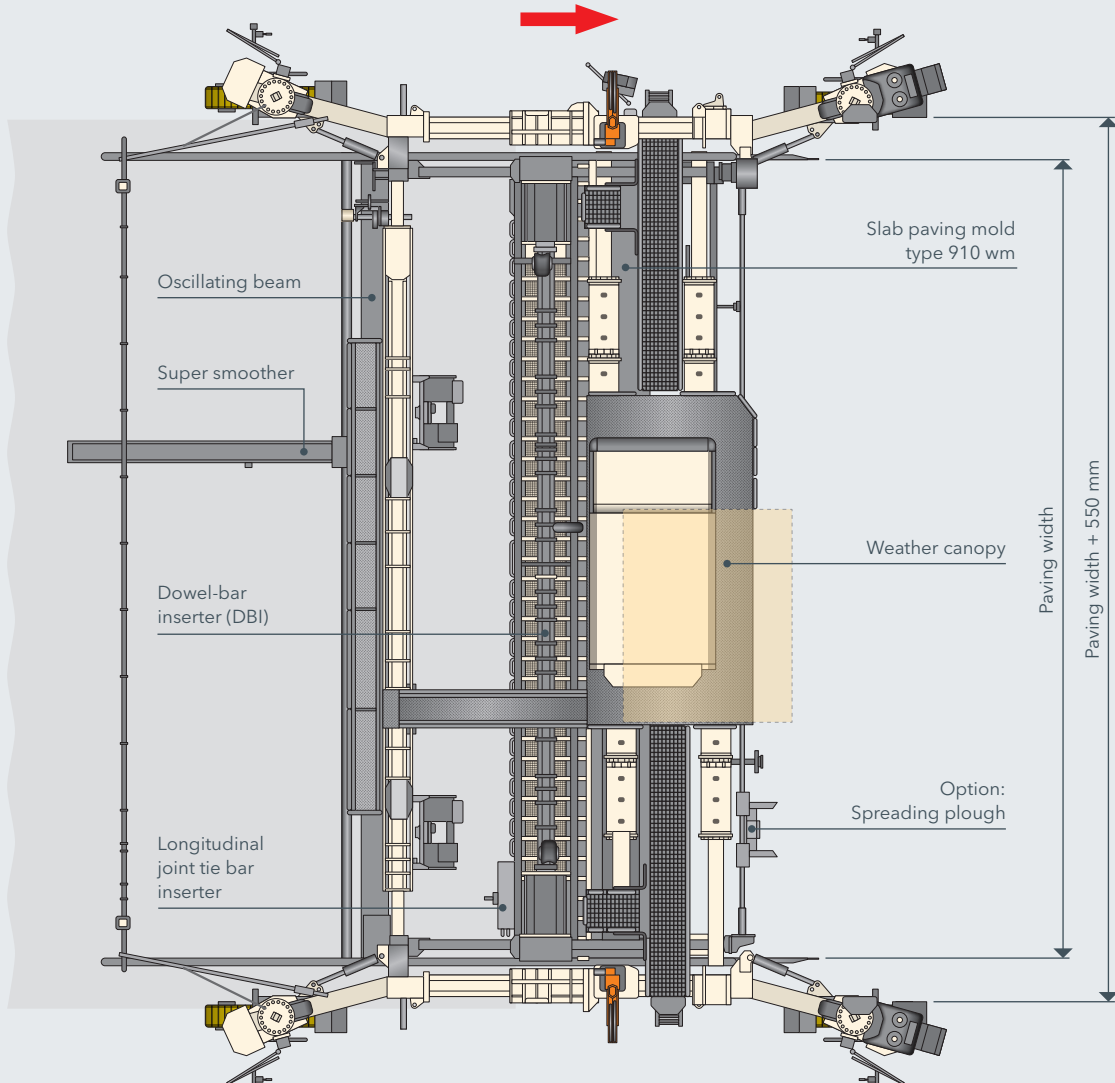
Minimum space required for B4 track units at paving widths $\geq 3,00$ m (without side tie bar inserter)

SIDE VIEW / TOP VIEW SP 124(i)

Paving situation: Slipform paver SP 124(i) equipped with spreading plough, slab paving mold type 910 mm, dowel-bar inserter (DBI), oscillating beam, super smoother and longitudinal joint tie bar inserter



Direction of operation



STANDARD EQUIPMENT	SP 124	SP 124 i
Basic Machine		
> Fuel tank, 660 l	■	■
> Electrical system (24 V)	■	■
> Cooling system with temperature-controlled fan speed	■	■
> Hydraulic system including an generously dimensioned hydraulic oil tank and a pump transfer gearbox with four output shafts and the pumps required for the machine's basic equipment package	■	■
Main Frame and Height Adjustment		
> Frame connections on four hydraulic pivoting legs for flexible adaptation to site requirements	■	■
> Heavy-duty design for accommodating telescoping elements, machine frame telescoping continuously to both sides for accommodating paving molds between the track units from 4.50 m to 9.50 m (optional: up to 12.00 m) in width	■	■
> Heavy-duty steel frame telescoping continuously by a total of 2.20 m on both sides. The telescopic box can optionally be extended by up to 2 x 3.75 m using fixed-width expansion pieces.	■	■
> The machine frame is pre-fitted with multiple mounting points for the modular addition of a variety of equipment features	■	■
> Mechanical telescopic unit used to extend the machine frame longitudinally in order to accommodate additional options (DBI, longitudinal joint tie bar inserters)	■	■
> Frame sections for mechanical telescoping in increments to working widths of up to 9.50 m	□	□
Crawler Units and Chassis Linkage		
> Four height-adjustable track units with hydraulic pivoting legs, including cylinder drives	□	□
Machine Control, Leveling and Steering		
> WI-CONTROL - high-quality control system ensuring perfect interaction between all machine features	■	■
> Error messages are displayed on the machine's control screen	■	■
> The existing CAN-bus system can be expanded to customer specifications	■	■
> ECO mode: performance-optimized engine management system for reduced diesel consumption and low noise emissions	■	■
> Proportional electrohydraulic leveling and steering by means of a PLC system including four leveling sensors and two steering sensors	■	■
> Sensor mounting brackets, adjustable in height and range	■	■
> Four hydraulic leveling cylinders with a stroke of 1.00 m	■	■
Vibration		
> Hydraulic vibrator drive for max. 24 vibrators	□	□
> 12 curved vibrators D66, hydraulically driven	□	□
Concrete Equipment for Slab Paving		
> Paving mold 910 mm, basic width 4.50 m, without crown, with trailing side header and trailing side header extension 260 mm, including crosslink	□	□
> One-piece side header for paving molds series 910	□	□

STANDARD EQUIPMENT	SP 124	SP 124 i
Operator's Platform		
> Ergonomically designed operator's platform providing a perfect view of the paving process	■	■
> Three control panels with clear, language-independent labelling for ergonomic operation	■	■
> Control panel 1 for machine setup according to site requirements	■	■
> Control panel 2 with multifunctional control screen providing the operator with all relevant machine parameters and allowing settings to be made via a menu	■	■
> Control panel 3 for controlling the concrete equipment	■	■
> Control panels 1 and 3 can be adjusted to all directions of travel and paving configurations	■	■
> Two control panels can be stored in the engine compartment; the third control panel can be protected against vandalism and weather by means of a lockable cover	■	■
> Automatic recognition of each machine configuration provides easy orientation for the machine operator	■	■
Miscellaneous		
> Paving Plus package: pivot angle display, speed indicator and fully digital Ackermann steering	■	■
> Large tool kit in lockable tool box, including a torque multiplier and torque wrench	■	■
> Comprehensive safety package with EMERGENCY STOP switches	■	■
> Pre-fitting for installing the WITOS FleetView control unit	■	■
> Filling of the machine's hydraulic system with mineral hydraulic oil	■	■
> Standard painting in RAL 9001 (cream)	□	□
> WITOS - professional telematics solution for machine operation and service optimisation	□	□
> Lighting system including 4 halogen working lights, 24 V	□	□

■ = Standard equipment

□ = Standard equipment, can be replaced with optional equipment if desired

□ = Optional equipment

OPTIONAL EQUIPMENT SP 124 (i)**Main Frame and Height Adjustment**

> Frame sections for mechanical telescoping in increments to working widths of up to 12.00 m	<input type="checkbox"/>
--	--------------------------

Crawler Units and Chassis Linkage

> Four height-adjustable track units with hydraulic pivoting legs, including hydraulic rotational drives	<input type="checkbox"/>
--	--------------------------

Machine Control, Leveling and Steering

> Self-leveling feature for transport mode	<input type="checkbox"/>
--	--------------------------

> Additional control console for track unit adjustment	<input type="checkbox"/>
--	--------------------------

> Two slab tracers	<input type="checkbox"/>
--------------------	--------------------------

> Four slab tracers	<input type="checkbox"/>
---------------------	--------------------------

> Control unit for manual track unit steering	<input type="checkbox"/>
---	--------------------------

> Preliminary equipment for 3D leveling with Leica Topcon or Trimble	<input type="checkbox"/>
--	--------------------------

> Additional slope sensors for 3D leveling	<input type="checkbox"/>
--	--------------------------

Concrete Spreading Equipment for Slab Paving

> Spreading plough - basic width 4.50 m	<input type="checkbox"/>
---	--------------------------

> Spreading plough - extension element 0.25 m	<input type="checkbox"/>
---	--------------------------

> Spreading plough - extension element 0.40 m	<input type="checkbox"/>
---	--------------------------

> Spreading plough - extension element 0.50 m	<input type="checkbox"/>
---	--------------------------

> Spreading plough - extension element 0.60 m	<input type="checkbox"/>
---	--------------------------

> Spreading plough - extension element 0.75 m	<input type="checkbox"/>
---	--------------------------

> Spreading plough - extension element 1.00 m	<input type="checkbox"/>
---	--------------------------

> Spreading plough - extension element 2.00 m	<input type="checkbox"/>
---	--------------------------

Vibration

> Hydraulic vibrator drive for max. 30 vibrators	<input type="checkbox"/>
--	--------------------------

> Hydraulic vibrator drive for max. 36 vibrators	<input type="checkbox"/>
--	--------------------------

> Electric vibrator drive with 60-kVA generator for max. 26 vibrators	<input type="checkbox"/>
---	--------------------------

> Electric vibrator drive with 60-kVA generator for max. 34 vibrators	<input type="checkbox"/>
---	--------------------------

> 12 curved vibrators D76, electrically driven	<input type="checkbox"/>
--	--------------------------

> Curved vibrator D66, hydraulically driven	<input type="checkbox"/>
---	--------------------------

> Curved vibrator D76, electrically driven	<input type="checkbox"/>
--	--------------------------

Concrete Equipment for Slab Paving

> Metering gate for paving mold with / without crown - basic width 4.50 m (optional: up to 12.00 m)	<input type="checkbox"/>
---	--------------------------

> Automatic metering gate control for concrete paving mold	<input type="checkbox"/>
--	--------------------------

> Metering gate - extension element 0.25 m	<input type="checkbox"/>
--	--------------------------

> Metering gate - extension element 0.40 m	<input type="checkbox"/>
--	--------------------------

> Metering gate - extension element 0.50 m	<input type="checkbox"/>
--	--------------------------

> Metering gate - extension element 0.60 m	<input type="checkbox"/>
--	--------------------------

> Metering gate - extension element 0.75 m	<input type="checkbox"/>
--	--------------------------

> Metering gate - extension element 1.00 m	<input type="checkbox"/>
--	--------------------------

> Metering gate - extension element 2.00 m	<input type="checkbox"/>
--	--------------------------

OPTIONAL EQUIPMENT SP 124 (i)

Concrete Equipment for Slab Paving

> Paving mold 910 wm, basic width 4.50 m, with / without crown, with trailing side header and trailing side header extension 260 mm, including crosslink	<input type="checkbox"/>
> Two-piece sideplate for paving mold series 910 for the production of construction joints; valve position on paving mold	<input type="checkbox"/>
> Paving mold series 910 wm - extension element 0.25 m	<input type="checkbox"/>
> Paving mold series 910 wm - extension element 0.40 m	<input type="checkbox"/>
> Paving mold series 910 wm - extension element 0.50 m	<input type="checkbox"/>
> Paving mold series 910 wm - extension element 0.60 m	<input type="checkbox"/>
> Paving mold series 910 wm - extension element 0.75 m	<input type="checkbox"/>
> Paving mold series 910 wm - extension element 1.00 m	<input type="checkbox"/>
> Paving mold series 910 wm - extension element 2.00 m	<input type="checkbox"/>
> Automatic dowel bar inserter (DBI) for use without crown - basic width 4.50 m	<input type="checkbox"/>
> Automatic dowel bar inserter (DBI) for use with crown - basic width 4.50 m	<input type="checkbox"/>
> Base group for dowel bar inserter (DBI) for paving widths of up to 4.50 m	<input type="checkbox"/>
> Base group for dowel bar inserter (DBI) for paving widths of up to 5.00 m	<input type="checkbox"/>
> Base group for dowel bar inserter (DBI) for paving widths of up to 6.00 m	<input type="checkbox"/>
> Base group for dowel bar inserter (DBI) for paving widths of up to 7.00 m	<input type="checkbox"/>
> Base group for dowel bar inserter (DBI) for paving widths of up to 8.00 m	<input type="checkbox"/>
> Base group for dowel bar inserter (DBI) for paving widths of up to 9.00 m	<input type="checkbox"/>
> Base group for dowel bar inserter (DBI) for paving widths of up to 10.00 m	<input type="checkbox"/>
> Base group for dowel bar inserter (DBI) for paving widths of up to 11.00 m	<input type="checkbox"/>
> Base group for dowel bar inserter (DBI) for paving widths of up to 12.00 m	<input type="checkbox"/>
> Dowel bar inserter (DBI) - extension element 0.25 m	<input type="checkbox"/>
> Dowel bar inserter (DBI) - extension element 0.40 m	<input type="checkbox"/>
> Dowel bar inserter (DBI) - extension element 0.50 m	<input type="checkbox"/>
> Dowel bar inserter (DBI) - extension element 0.60 m	<input type="checkbox"/>
> Dowel bar inserter (DBI) - extension element 0.75 m	<input type="checkbox"/>
> Dowel bar inserter (DBI) - extension element 1.00 m	<input type="checkbox"/>
> Dowel bar inserter (DBI) - extension element 2.00 m	<input type="checkbox"/>
> Load brackets as modification aid for altering the width of the dowel bar inserter (DBI)	<input type="checkbox"/>
> DBI self-loading device including a diesel-powered hydraulic unit	<input type="checkbox"/>

■ = Standard equipment

■ = Standard equipment, can be replaced with optional equipment if desired

□ = Optional equipment

OPTIONAL EQUIPMENT SP 124(i)

Concrete Equipment for Slab Paving

> One longitudinal tie bar inserter for tie bars \varnothing 12 - 25 mm, length 400 - 800 mm	<input type="checkbox"/>
> Two longitudinal tie bar inserters for tie bars \varnothing 12 - 25 mm, length 400 - 800 mm	<input type="checkbox"/>
> Three longitudinal joint tie bar inserters for tie bars \varnothing 12 - 25 mm, length 400 - 800 mm	<input type="checkbox"/>
> One longitudinal tie bar inserter for tie bars \varnothing 12 - 25 mm, length 800 - 1,200 mm	<input type="checkbox"/>
> Two longitudinal tie bar inserters for tie bars \varnothing 12 - 25 mm, length 800 - 1,200 mm	<input type="checkbox"/>
> Three longitudinal joint tie bar inserters for tie bars \varnothing 12 - 25 mm, length 800 - 1,200 mm	<input type="checkbox"/>
> Frame extension + electrical control system for dowel bar inserter (DBI) and longitudinal joint tie bar inserter for working widths of up to 9.50 m, machine with pivoting legs	<input type="checkbox"/>
> Frame extension + electrical control system for dowel bar inserter (DBI) and longitudinal joint tie bar inserter for working widths of up to 12.00 m, machine with pivoting legs	<input type="checkbox"/>
> Frame extension + electrical control system for longitudinal joint tie bar inserter for working widths of up to 9.50 m, machine with pivoting legs	<input type="checkbox"/>
> Frame extension + electrical control system for longitudinal joint tie bar inserter for working widths of up to 12.00 m, machine with pivoting legs	<input type="checkbox"/>
> Oscillating beam without crown - basic width 4.50 m	<input type="checkbox"/>
> Oscillating beam with / without crown - basic width 4.50 m	<input type="checkbox"/>
> Oscillating beam - extension element 0.25 m	<input type="checkbox"/>
> Oscillating beam - extension element 0.40 m	<input type="checkbox"/>
> Oscillating beam - extension element 0.50 m	<input type="checkbox"/>
> Oscillating beam - extension element 0.60 m	<input type="checkbox"/>
> Oscillating beam - extension element 0.75 m	<input type="checkbox"/>
> Oscillating beam - extension element 1.00 m	<input type="checkbox"/>
> Oscillating beam - extension element 2.00 m	<input type="checkbox"/>
> Super smoother - basic width 4.50 m	<input type="checkbox"/>
> Super smoother - extension element 0.25 m	<input type="checkbox"/>
> Super smoother - extension element 0.40 m	<input type="checkbox"/>
> Super smoother - extension element 0.50 m	<input type="checkbox"/>
> Super smoother - extension element 0.60 m	<input type="checkbox"/>
> Super smoother - extension element 0.75 m	<input type="checkbox"/>
> Super smoother - extension element 1.00 m	<input type="checkbox"/>
> Super smoother - extension element 2.00 m	<input type="checkbox"/>
> One side tie bar inserter for straight tie bars, max. \varnothing 20 mm, length 800 mm	<input type="checkbox"/>
> Two side tie bar inserters for straight tie bars, max. \varnothing 20 mm, length 800 mm	<input type="checkbox"/>

OPTIONAL EQUIPMENT SP 124 (i)

Operator's Platform

> Weather canopy for operator's platform, hydraulically telescoping in height, with LED lighting

Miscellaneous

> Painting in one special color (RAL)

> Painting in two special colors (RAL)

> Model without WITOS

> High-performance lighting system including 8 LED working lights, 24 V

> Hydraulic high-pressure water cleaning system with 550 l plastic tank

> Two hydraulic high-pressure water cleaning systems with two 550 l plastic tanks

> Additional electrical water pump, 24 V, with 10 m hose and spray gun with handle

> Rotating beacon, halogen 24 V, with magnetic base

> Two flashing beacons, 24 V, with magnetic base

> Automatic crown adjustment

> Camera system consisting of 1 camera and 1 screen, expandable to up to 6 cameras

> Additional camera as an extension to an existing camera system

> Two LED floodlights including power generator (230 V)

> Two LED floodlights including power generator (110 V)

> High-performance lighting system including 4 LED working lights, 24 V, for illuminating the compaction compartment

> Two LED floodlights 24 V

> 230 volt power generator, hydraulically driven, rated power of 4 kW

> 110 volt power generator, hydraulically driven, rated power of 4 kW

> One hydraulically driven crane system

> Two hydraulically driven crane systems

> Stringline tensioning system, complete with 1,000 m steel wire rope

> Additional tensioning winch for stringline tensioning system

> Stringline tensioning system, complete with 4 x 300 m nylon rope

> Machine commissioning (day rate)

> Export packaging

■ = Standard equipment

▣ = Standard equipment, can be replaced with optional equipment if desired

□ = Optional equipment

**WIRTGEN GmbH**

Reinhard-Wirtgen-Str. 2
53578 Windhagen
Germany

T: +49 2645 131-0
F: +49 2645 131-392
M: info@wirtgen.com

 www.wirtgen.de



For further information, please scan the code.