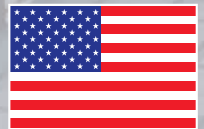
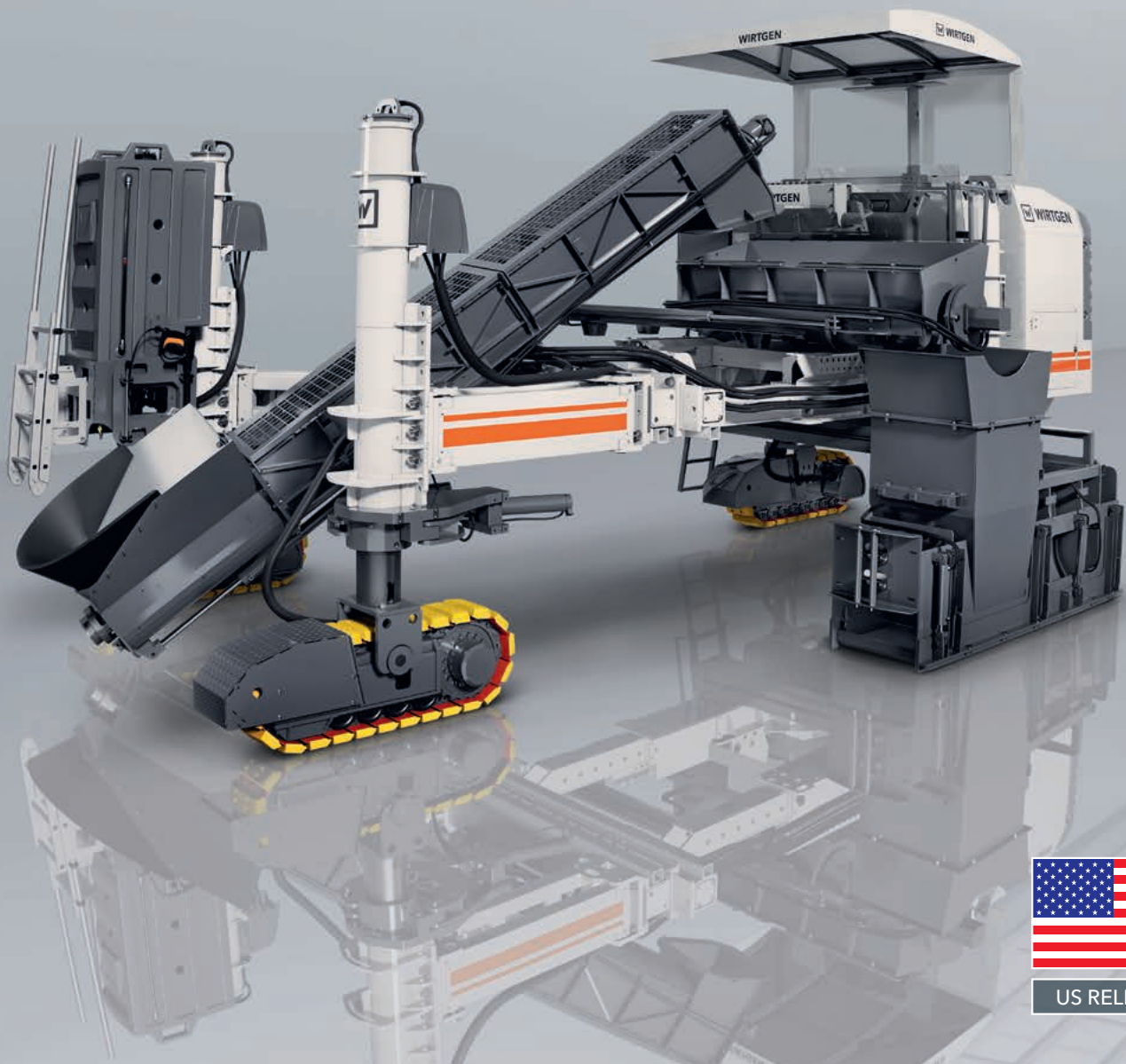


Matchless range of applications in concrete paving.
Slipform Paver SP 25i



US RELEASE

Outstanding features of the SP 25i slipform paver

02
03

11 | FULLY MODULAR INSET MOLD SYSTEM

Modular design permits machine configuration in accordance with site conditions. Adjustable to different working widths. Special profile cross-sections can be implemented.

21 | HIGHLY FLEXIBLE OFFSET MOLD SYSTEM

Concrete feeding system offering a wide variety of adjustment options. Flexible arrangement of the offset mold on the left or right side, close to or far to one side of the machine frame. A wide variety of different offset molds for poured-in-place profiles is available for a wide range of applications.

111 | INTELLIGENT TRANSPORT CONCEPT

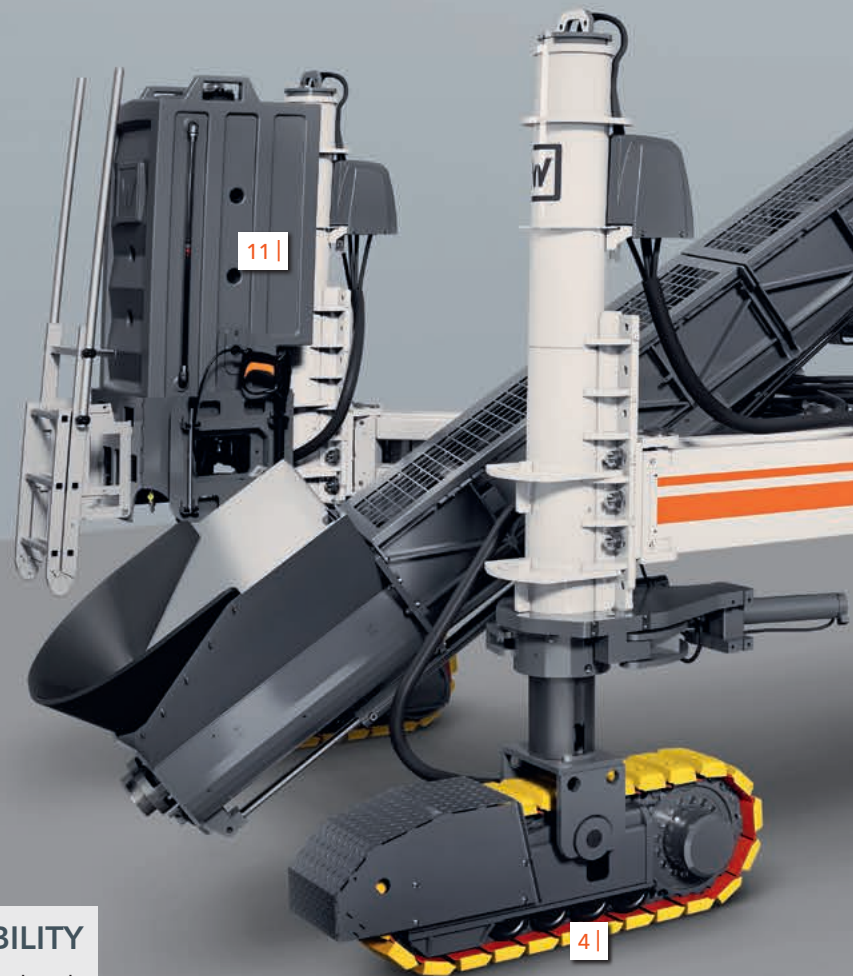
Compact machine dimensions ensure ease of transport.

101 | EASE OF OPERATION

Ergonomically designed operator's platform with self-explanatory operating concept for maximum productivity.

91 | MODULAR ADAPTABILITY

Flexible arrangement of the paving mold and track units to ensure high machine utilization rates.



3 | HIGH-QUALITY MACHINE CONTROL SYSTEM

High-quality machine control system for maximum operational reliability, precise machine functionality and automatic detection of configuration parameters and operating states.

4 | STEERING AND DRIVE SYSTEM BUILT TO FIELD REQUIREMENTS

An adaptive electronic steering and control system ensures precise driving behaviour and high precision in concrete paving.

5 | EFFICIENT DIESEL ENGINE CONTROL

Engine management in accordance with performance requirements for low diesel consumption and lowest environmental emissions.

6 | AUTOPILOT 2.0 - COST-EFFICIENT STRINGLESS MACHINE CONTROL SYSTEM

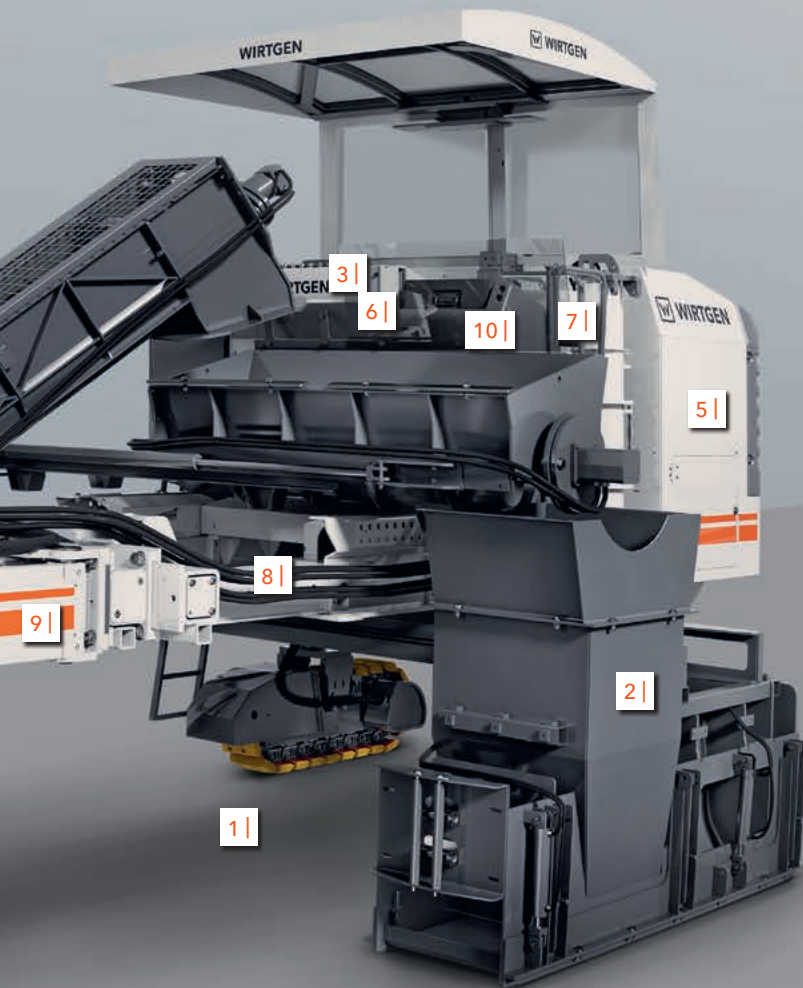
Cost-efficient machine control system developed by WIRTGEN for high-precision stringless concrete paving.

7 | FUTURE-PROOF 3D INTERFACE

Certified standard interface for reliable communication with standard 3D systems.

8 | PREMIUM-CLASS CROSS SLOPE CONTROL SYSTEM

Unmatched electronic cross slope control system developed in-house to ensure perfect paving results.





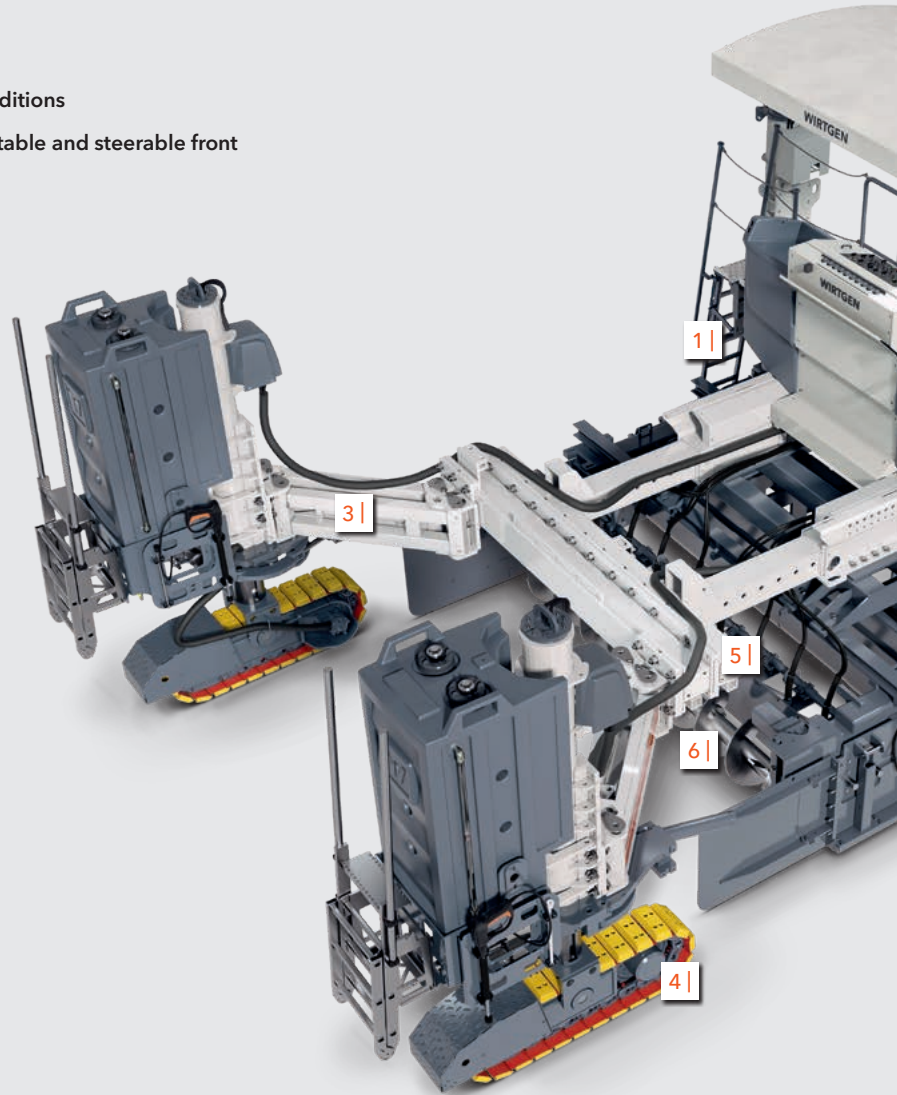


A new kind of

economic efficiency.

The WIRTGEN SP 25i slipform paver. Equipped with sophisticated features, customer-specific solutions, innovative machine technologies. And efficient multifunctionality. The compact machine boasts an unsurpassed variety of different applications in the paving of high-quality inset and offset concrete profiles. SP 25i - undeniably WIRTGEN. Undeniably a champion.

- 1 | Flexible access to operator's platform
- 2 | Telescoping machine frame
- 3 | Pivoting legs for adjustment of the track units to site conditions
- 4 | One or two hydraulically driven, separately height-adjustable and steerable front track units
- 5 | Telescoping front section of machine frame
- 6 | Spreading auger offering modular extension options
- 7 | Slab paving mold
- 8 | Two laterally telescoping rear track units
- 9 | Lifting column with hydraulic cylinder for height adjustment
- 10 | Power unit



Inset concrete paver drives efficiency to the max

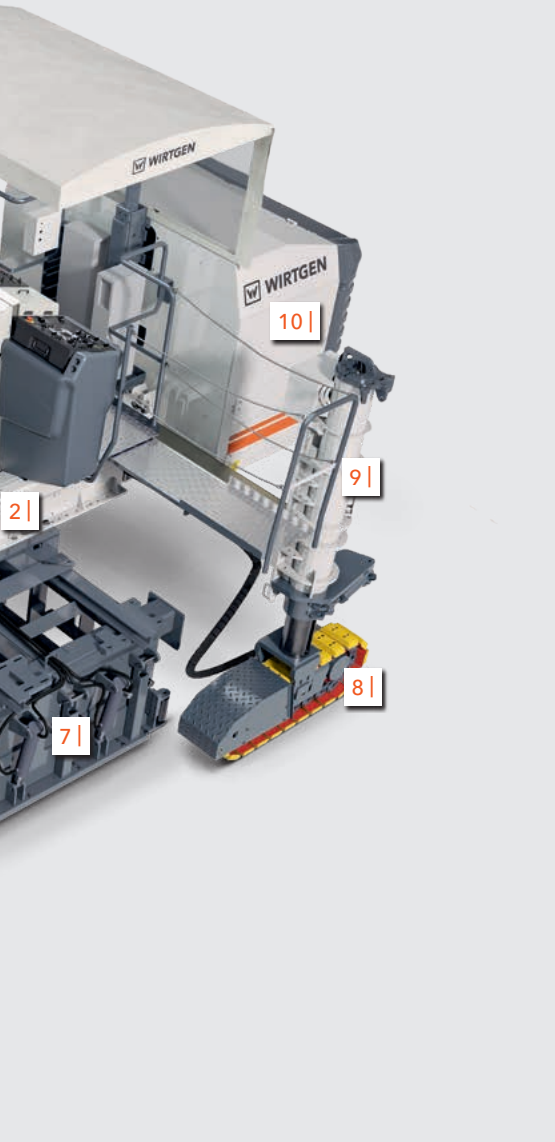
WIDE RANGE OF SLAB PAVING WIDTHS

The compact SP 25i slipform paver is an exceptionally versatile multipurpose machine for high-quality concrete paving. In addition to a wide variety of different offset profiles, the SP 25i achieves perfection in paving narrow roads, agricultural roads and bicycle paths, channels and gutters of different sizes in inset application. The paver's modular design permits it to be fully tailored to various applications in accordance with specific requirements, allowing components to be retrofitted quite easily even many years later.

There is no question about it: the SP 25i sets new standards in economic efficiency.

Further hallmarks include flexible positioning of the track units, spreading auger extension and the use of up to ten electric or hydraulic vibrators.

Intelligent electronic steering and control technology ensures full compliance with the specified requirements.



1 | Flexible positioning of the track units allows paving of a 9 ft 10 in (3.0 m) wide rural path.

2 | The SP 25i offers a comprehensive range of inset applications including the production of concrete slabs from 3 ft 3 in (1.0 m) to 12 ft (3.65 m) in width.



1 | Paving a 12 ft
(3.65 m) wide con-
crete road.

Tremendous range of inset paving applications

THE SP 25i IN ACTION

The SP 25i is capable of paving concrete slabs at widths ranging from 3 ft 3 in (1.0 m) to 12 ft (3.65 m) and layer thicknesses of up to 15.7 in (400 mm) in inset application. Flexible positioning of the paver's track units allows slab widths of 12 ft (3.65 m) to be achieved. Its modular design makes easy work of modifying the SP 25i for the different paving applications: the spreading auger, slab paving mold and other complementary features can be extended in increments. Special profiles and paving widths are available in accordance with customer specifications. It is possible to connect up to ten electric or hydraulic vibrators.

The SP 25i is the ideal choice for completing special assignments both in the open and in tunnel construction - either with stringline or using the stringless WIRTGEN AutoPilot 2.0 or standard 3D systems. Molds can be changed or the SP 25i converted from inset to offset paving quickly right on the construction site.



2 | Highly precise paving of a 9 ft 10 in (3.0 m) wide embankment road using WIRTGEN AutoPilot 2.0.

3 | Paving a concrete slab track.

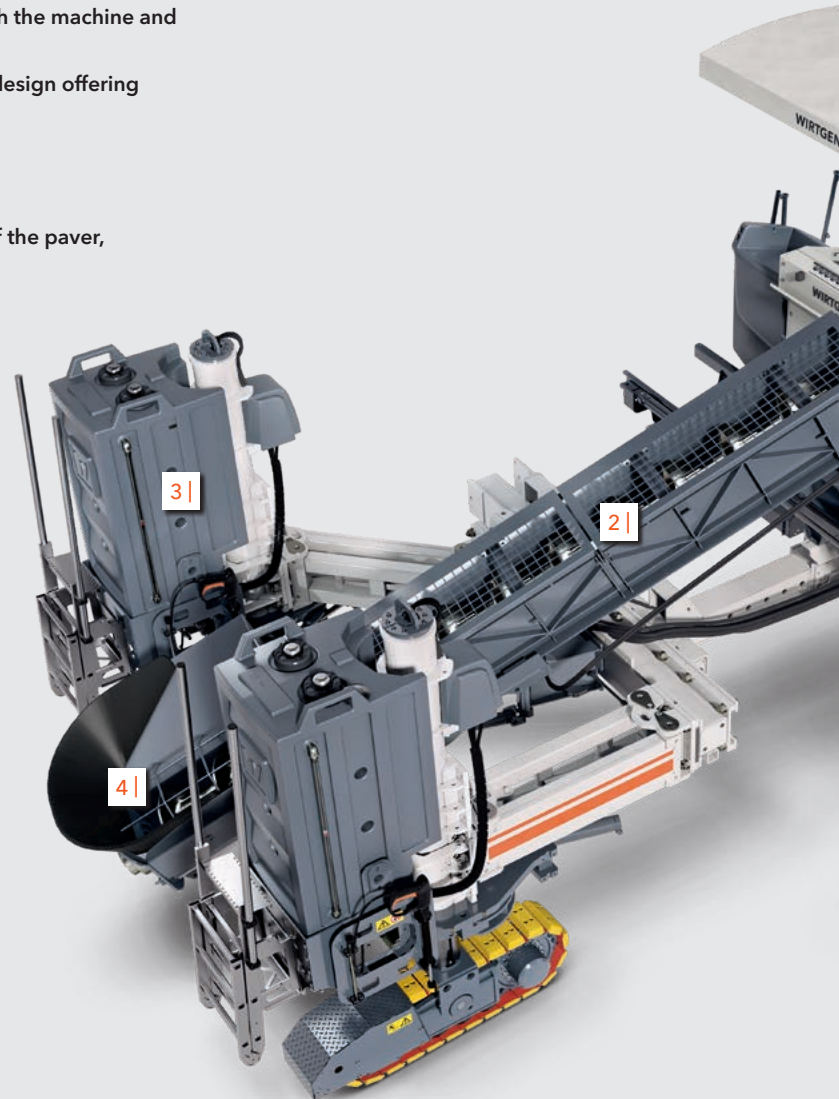
4 | Paving wheel tracks for an agricultural road.

5 | Paving a slab track in a tunnel using a 3D control system in extremely restricted space conditions.

6 | Producing a large water gutter.



- 1 | Walk-through operator's platform offering a good view of both the machine and the construction site
- 2 | Concrete feeding system in belt conveyor or auger conveyor design offering various adjustment options
- 3 | Water tank with a capacity of 145.3 gal (550 l)
- 4 | Receiving hopper for freshly delivered concrete
- 5 | Offset mold, suitable for mounting on the left and right side of the paver, telescoping to both sides
- 6 | Cross-feeding auger
- 7 | Clearly structured control panel, suitable for mounting on the left or right side of the operator's platform
- 8 | Service panel
- 9 | Weather canopy



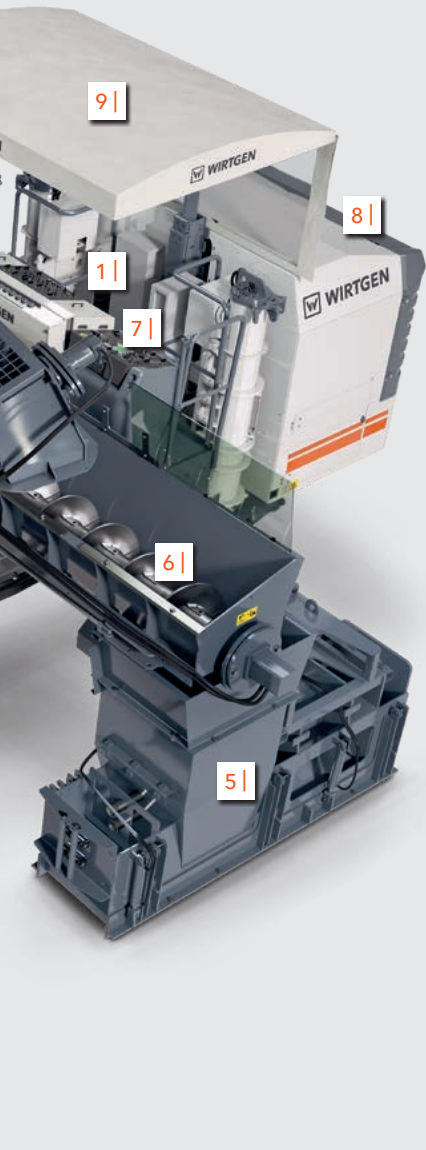
Offset concrete paver for complex applications

UNRIVALLED FLEXIBILITY

The SP 25i slipform paver truly excels when it comes to pouring small or large concrete profiles in offset application. Where other slipform pavers have given up on the job long ago, the SP 25i realizes its full potential: whether a profile needs to be poured across an existing profile or at a large distance or major difference in height between the machine frame and the paving site - these are the challenges that the SP 25i masters with the greatest ease. Exceptional flexibility in positioning the paving mold,

track units and concrete feeding system enables it to fully adapt to virtually any paving situation. Offset paving molds can optionally be mounted on the left or right side of the slipform paver.

The paver's repertoire includes concrete safety barriers, kerbs, kerb and gutter profiles, channels, water gutters and narrow roads as well as a wide variety of special profiles.



1 | The SP 25i produces large poured-in-place offset profiles at standard heights of up to 6 ft 7 in (2.0 m) or standard widths of up to 12 ft (3.65 m).

2 | The paver is at its best when pouring concrete safety barriers of up to 6 ft 7 in (2.0 m) in height.



11

1 | Paving a rain-water gutter along a slope with the mold mounted on the right side of the machine.

Tremendous range of offset paving applications

THE SP 25i IN ACTION

The SP 25i produces poured-in-place concrete profiles at standard heights of up to 6 ft 7 in (2.0 m) or standard widths of up to 12 ft (2.5 m). Even larger profiles can be realized in accordance with customer specifications. The geometries of the offset mold and mold mount are irrelevant, as mature manufacturing processes enable us to translate virtually any customer requirement into viable, real-life solutions. Tried-and-tested standard offset molds can be supplied

within an extremely short period of time. In addition, the WIRTGEN SP 25i offers a unique selling proposition: the paving mold can be mounted on the left or right side of the paver.

Flexible positioning of the paving mold, track units and concrete feeding system tremendously increases the range of applications of the SP 25i. The paver's flexibility is enhanced even further by the telescoping mold mount and the modular addition of individual complementary features.



2 | Paving a concrete safety barrier as central reservation.

3 | Paving a rainwater gutter with the mold mounted on the left side of the machine.

4 | Paving a 8 ft 2 in (3.65 m) wide bicycle path.

5 | Paving a large special profile.

6 | Paving a special profile on a farm.





**Standing here,
you're in charge.**

Be relaxed and comfortable during work while keeping everything in full view - a given with the SP 25i. Clearly structured controls arranged with ergonomic principles in mind. Providing you with all the relevant information at a single glance. The intelligent visibility concept comes as a standard feature. With the SP 25i, you're always in command. Ease of operation and high productivity become one.



1 | Additional synergistic effects are created by the standardized, intuitive operating concept of the entire range of WIRTGEN slipform pavers.

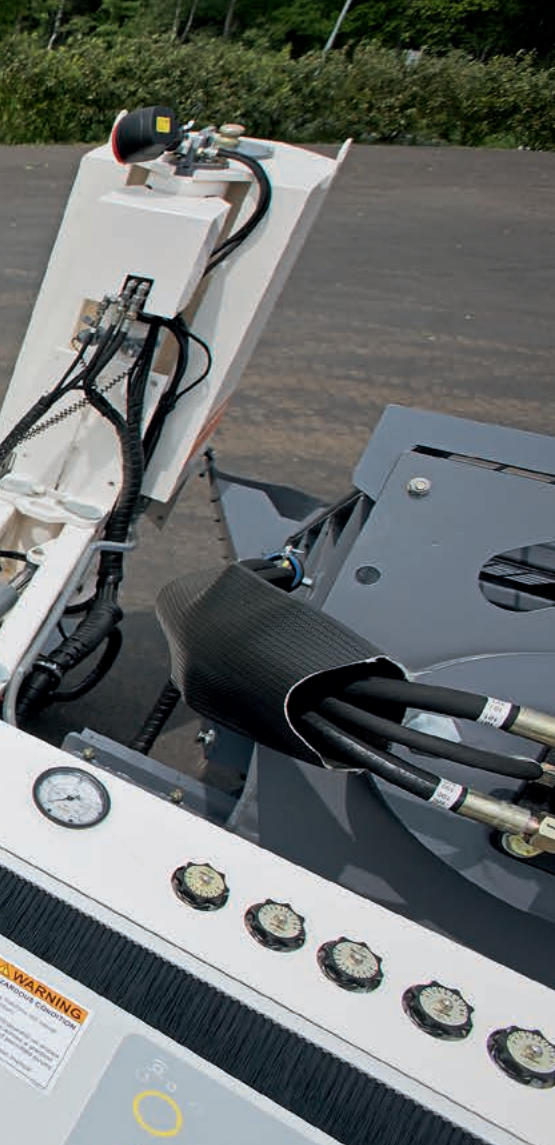
Relaxed working and ease of operation

GAINING FULL CONTROL QUICKLY

Everything on the operator's platform of the SP 25i is arranged with clarity and ergonomic principles in mind. A state-of-the-art graphic screen is incorporated in the center of the control panel: the multifunctional screen keeps the operator informed of all the relevant operating parameters on an event-driven basis. Operation of the paver via the screen is easy and promoted further by clear, language-independent labeling. The control panel can be mounted on the left or right to always ensure a perfect view of the entire paving process. A comprehensive lighting system is part of the paver's on-board equipment, permitting efficient operation even

in darkness. All of these features allow the operator to familiarize himself with the SP 25i quickly, focus on his work and deliver top performance.

The weather canopy can be raised and lowered hydraulically even with the engine switched off and allows paving to continue regardless of weather conditions. Effective engine sound-proofing and anti-vibration mounted treads minimize the impact of machine vibrations on both the operator and the environment.




2 | The convenient access ladder can be adjusted in height manually and folded in for transport.

3 | Control panel suitable for mounting on the left or right side for perfect visibility.

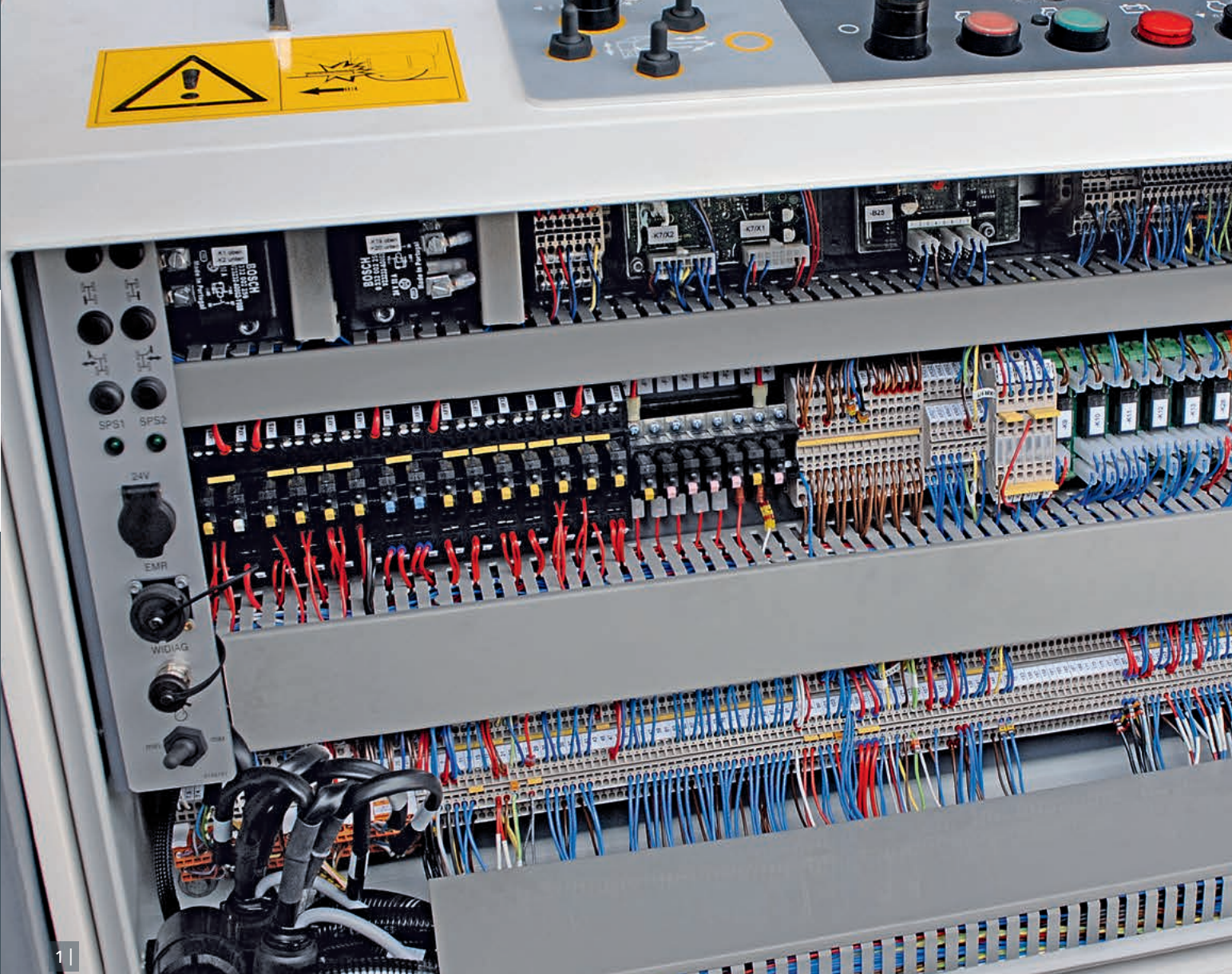
4 | Perfect view of the paving process from the spacious, ergonomically designed operator's platform.





Hidden intelligence.

While you are in command at the control panel of the SP 25i, others are working in the background: innovative control technologies. Developed to precisely fit your specific requirements, based on our experience of many decades in this field. Tried-and-tested technologies. Autonomous, always wide awake. Hidden co-pilots that ensure ease of operation. That are intelligent. That manage, economize, boost performance. While you can fully focus on achieving work results of the highest quality. It all adds up.



11

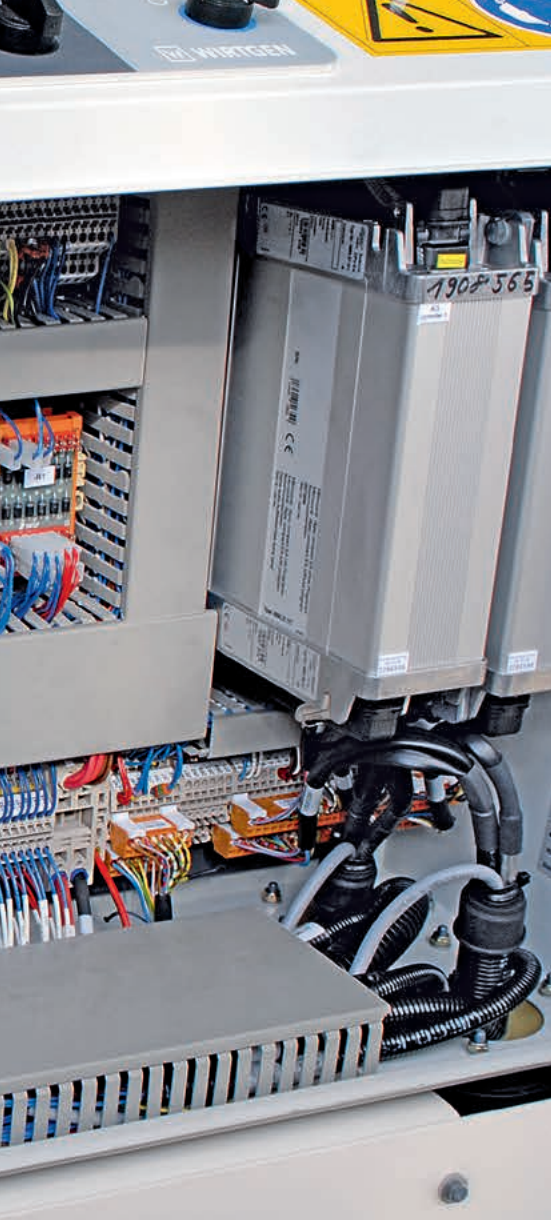
1 | *Software developed in-house ensures high operational reliability.*

Faultless operation – whatever the job

SOFTWARE AND HARDWARE

The SP 25i slipform paver features an integrated machine control system of the highest quality, in which the large proportion of software developed in-house plays the decisive role. For the constant further development of the software guarantees maximum operational reliability of the machine. In addition, our many years of experience in software and hardware development allow for higher and more flexible machine functionality in terms of applications and meeting specific customer requirements.

Efficient engine management is an integral part of the machine control system. WIDIAG, the diagnostic system with standardized interface, is used by WIRTGEN service engineers for quick, specific service diagnostics right on site. In addition, the WIRTGEN WITOS FleetView telematics system supports fleet management, machine position and status monitoring, as well as maintenance and diagnostic procedures. In short: it is yet another key driver for improved efficiency in day-to-day operation.



2-3 | The high-quality machine control system guarantees perfect straight-ahead travel and precise steering in bends.

4 | Separate valves on the track units ensure high-precision height adjustment and steering control.

Precise driving behavior - whatever the job

PRECISION IN CONCRETE PAVING GUARANTEED

The SP 25i features an intelligent electronic steering and control system which offers everything it takes for precise driving behavior and therefore high-precision concrete paving. The slipform paver comes into its own especially when working in bends.

This is where the tried-and-tested Ackermann steering system ensures precise driving behavior and therefore highest concrete quality. The computer-assisted steering system varies the speed of the individual track units during cornering, thus enabling the SP 25i to follow the previously specified references with pinpoint accuracy. In addition, the steering angle position of each track unit is adjusted fully automat-

ically based on the radius to be paved and the paver geometry. An unbeatable feature!

The SP 25i is capable of producing profiles with a minimum radius of only 3 ft 3 in (1.0 m). High-precision drive motor control guarantees smooth machine travel even when operating at extremely low speeds. The control system prevents spinning of the track units during cornering, maintaining optimum traction.

Additional steering modes - crab and coordinated - make easy work of repositioning and maneuvering the slipform paver.

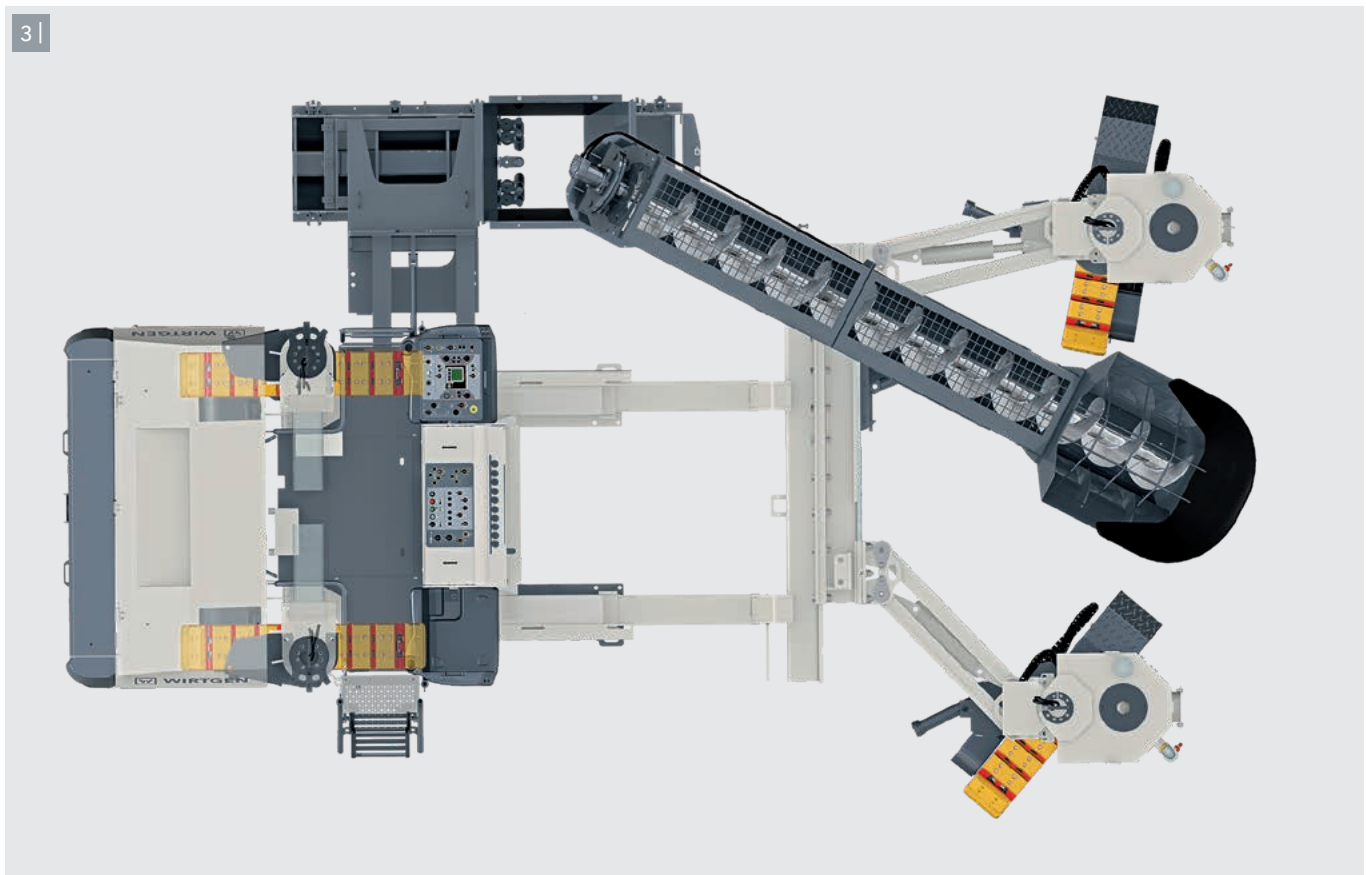
1 | *In stringless operation, the SP 25i permits a paving radius of 0.04 in (1.0 mm) - or less.*





2 | Control panel with different steering mode settings for maneuvering.

3 | Automatic adjustment of the steering angle and speed of each track unit to the paver's geometry.



State-of-the-art engine technology

EFFICIENT DIESEL ENGINE CONTROL

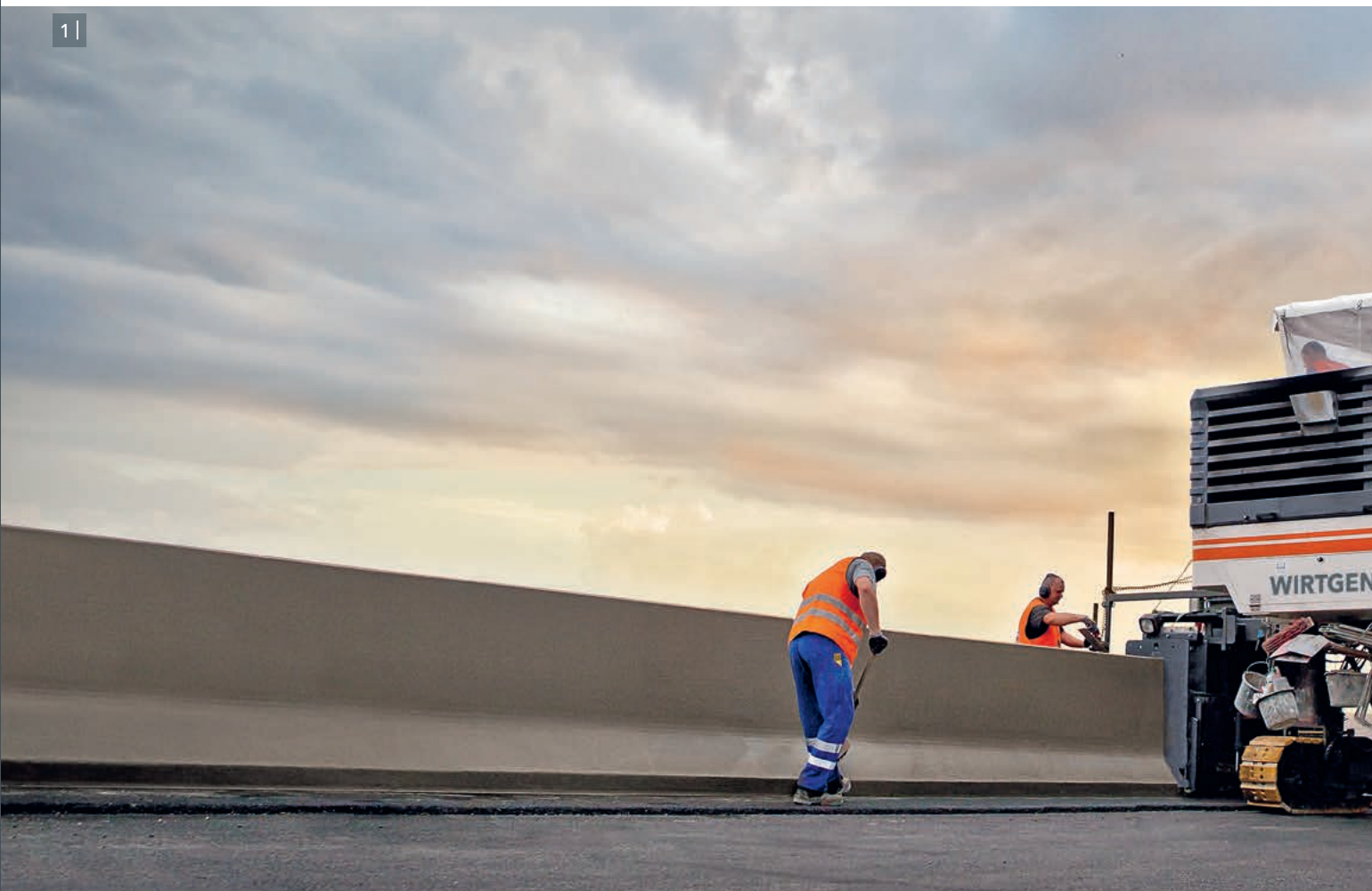
Fuel consumption of the SP 25i is minimized by the integrated ECO mode diesel engine control system. Upon activation of the ECO mode system, the engine speed is adjusted to the paver's performance requirements in an automated process. The engine operates at low speeds, for example, to match low machine advance rates, and at higher speeds to match the machine's increasing travel speed. High or maximum engine speeds are only required at high machine advance rates or when operating vibrators or a trimmer. The ECO mode system detects the current paving situation and optimizes the engine speed in accordance with the machine features used without the need for manual operator intervention.

1 | *The ECO mode engine control system enables the SP 25i to always work in the optimum performance and torque ranges.*

The performance-based engine management system guarantees low diesel consumption, low noise emission levels and low operating costs.

The SP 25i features state-of-the-art engine technology for lowest environmental emission levels, complying with the strict specifications of exhaust emission standards US EPA Tier 4f.

11





2 |

2 | The ECO mode engine control system guarantees low fuel consumption.

3 | Manual selection of the ECO mode system.



3 |

AutoPilot 2.0 – cost-efficient, stringless machine control system

WORK MORE EFFECTIVELY

The standard 3D machine control systems for producing poured-in-place concrete profiles by means of a slipform paver are frequently not a viable option especially for small contracting companies. This is mostly due to high investment costs, the level of technical support required in day-to-day operation, and the need to manage digital modelling data.

WIRTGEN provides customers with AutoPilot 2.0, an innovative and cost-efficient alternative system developed in-house, which eliminates these drawbacks. The system is based on GNSS (Global Navigation Satellite System) and has been precisely tailored for use with the SP 25i, assisting with the automated

paving of a wide variety of different offset and inset concrete profiles, such as safety barriers on motorways or kerbs for traffic islands.

It requires no more than the uninterrupted reception of signals from a sufficiently large number of satellites and proficient use of the system including the Field Rover prism pole. Relevant points of the object to be paved are taught-in via a tablet computer on the Field Rover using software developed in-house. These are then used to compute a virtual stringline which is optimized for the slipform paving process and incorporates local conditions.

1 | Stringless paving of poured-in-place profiles using the AutoPilot 2.0 system.

2 | The Field Rover is used to collect measuring points and perform check measurements.

3 | Following the successful calculation and verification of the virtual stringline, the tablet computer is placed into the docking station on the slipform paver.





Unlike with conventional 3D systems, the digital data model is created on the construction site. After connecting the tablet computer on the operator's platform of the paver, the specifications stored in the system can be executed immediately without requiring any intermediate steps. The operator remains in full control, however, and can intervene in the autonomous paving process whenever necessary. The system also permits the import of data, offering unique verification and intuitive editing functions.

Major advantage of the system: it dispenses with time-consuming surveying operations, the installation and removal of stringline, and the preparation of a geodetic data model.





1 |

1 | WIRTGEN-specific acceptance procedures ensure safe application of the different 3D control systems.

High-precision 3D control

MADE-TO-MEASURE PROFILE PAVING

Stringless control systems will drive the future of professional concrete paving. In addition to ensuring high paving accuracy, 3D control systems offer yet another major advantage: estab-

2 | Field-proven integrated standard interface for 3D control systems.

lishing the digital terrain models is much more cost-effective than surveying and the installation of stringline. The SP 25i is all set for the job: an integrated standard interface enables it to be fitted with a state-of-the-art external 3D control system in lieu of AutoPilot 2.0.

In thorough acceptance procedures, we have tested the compatibility of the SP 25i with the 3D control systems of leading suppliers, thus ensuring safety of use. In addition, our own experts are working on continuously improving and perfecting the systems.



2 |

Unrivalled cross slope control

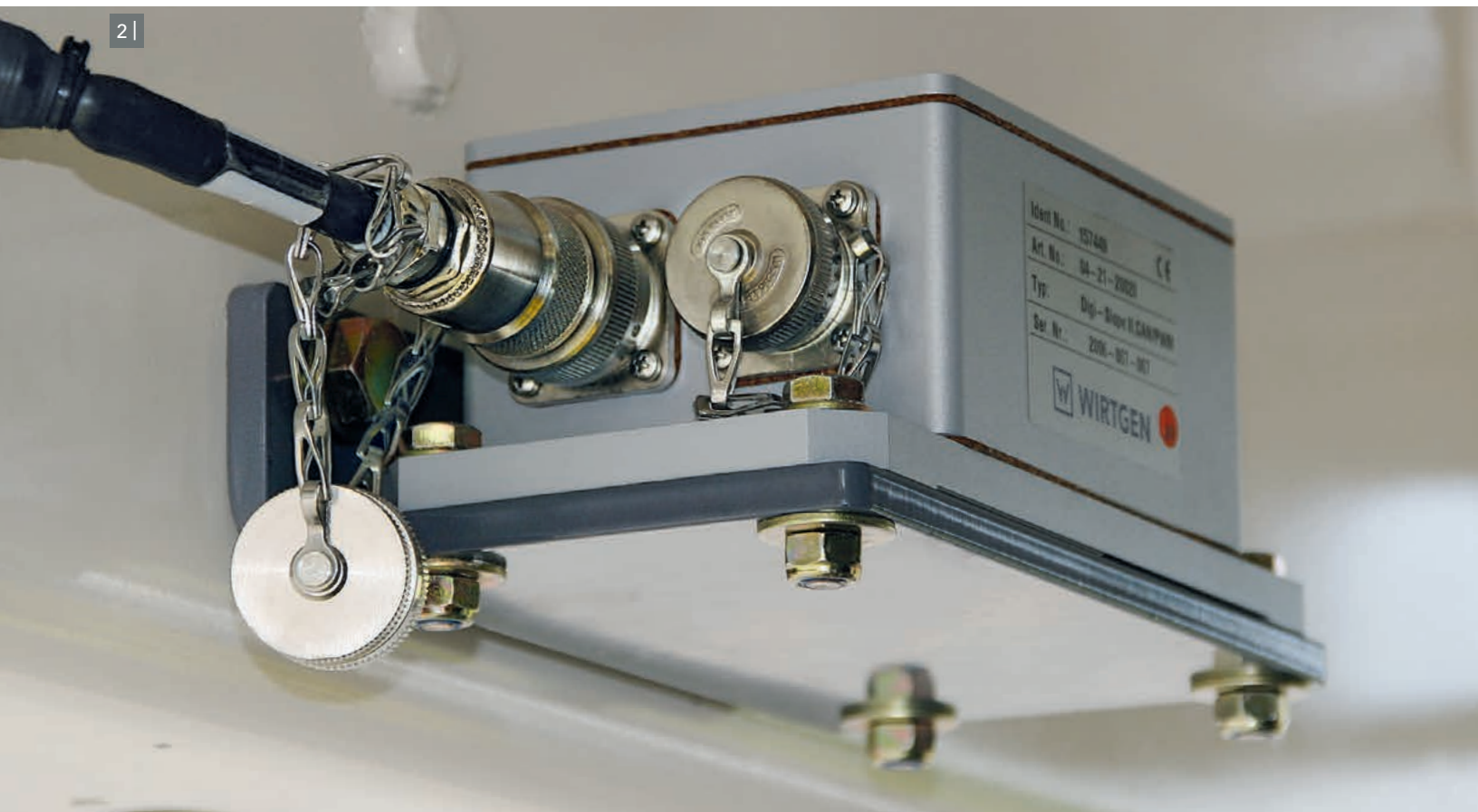
PERFECT PAVING QUALITY

Perfect paving results are guaranteed by the electronic cross slope control system developed by WIRTGEN on the basis of the "Rapid Slope" sensor.

Optimized control technology enables the innovative cross slope control system to achieve as yet unmatched dynamics and precision. Significantly shorter machine response times are reflected in the precision and quality of the completed concrete product.

The WIRTGEN cross slope control system can be relied on to level out any vibrations or ground irregularities in virtually no time at all.

1-2 | Cross slope specifications are adhered to with pinpoint precision.





A close-up photograph of a Wirtgen SP 25i concrete paver machine. The machine is shown from a low angle, with its hopper tilted to pour concrete into the bed of a concrete mixer truck. The hopper is dark grey and has the Wirtgen logo and name printed on it. The concrete is a dark grey color and is being poured in a thick stream. The background shows a clear blue sky and some greenery. The overall scene is a construction site.

In perfect shape for
mastering the difficult jobs.

Everyday challenges in concrete paving operations. Fixed obstacles, restricted space. Difficult ground conditions, difficulties in concrete supply. The innovative WIRTGEN SP 25i meets them all with made-to-measure, high-performance solutions. Offering unrivalled flexibility to adjust to the most diverse site conditions. With the fully modular machine design, for example, or the flexible mold system. Professional features making every job a success. The SP 25i - and all's right with the construction world.

Maximum stability in any given situation

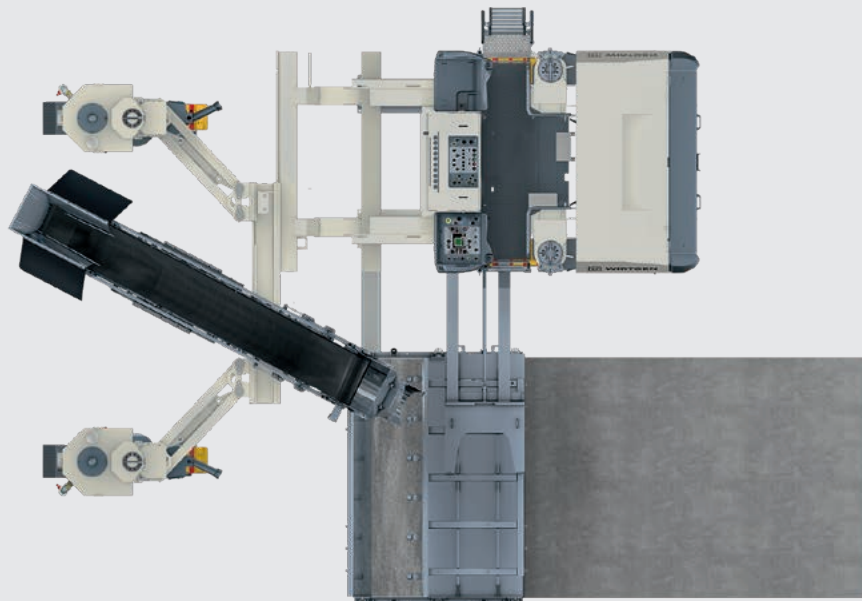
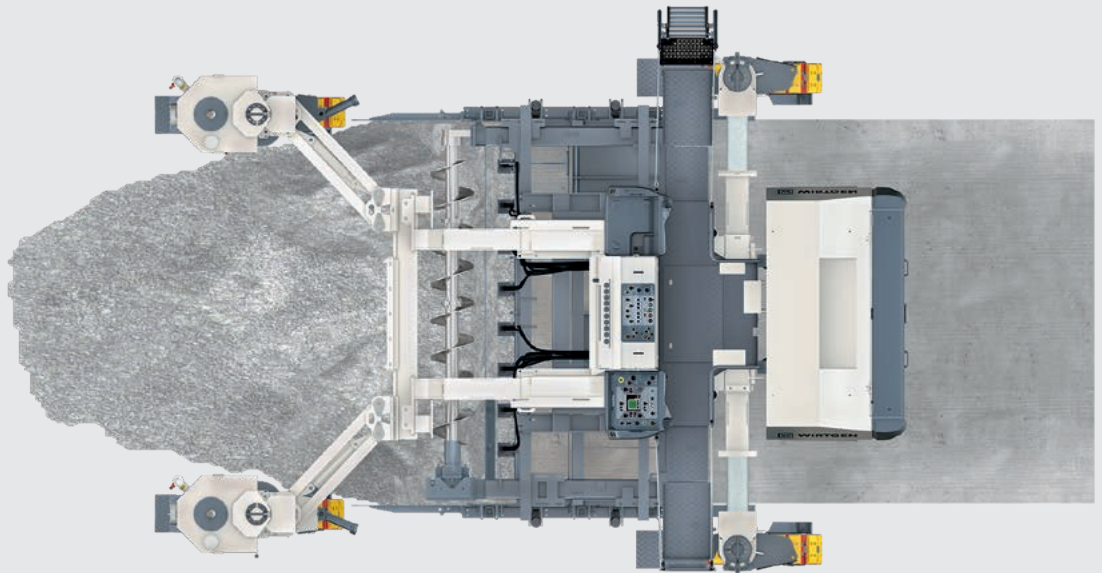
FULLY MODULAR MACHINE DESIGN

Offering a fully modular machine design, ease of modification and the effortless addition of complementary features, the SP 25i caters to all inset and offset paving applications. The machine frame can be telescoped in both longitu-

dinal and transverse direction, and the paver's technical features allow reliable adjustment to any given site conditions.

The SP 25i can be equipped with add-on components to offer solutions for complex, custom-

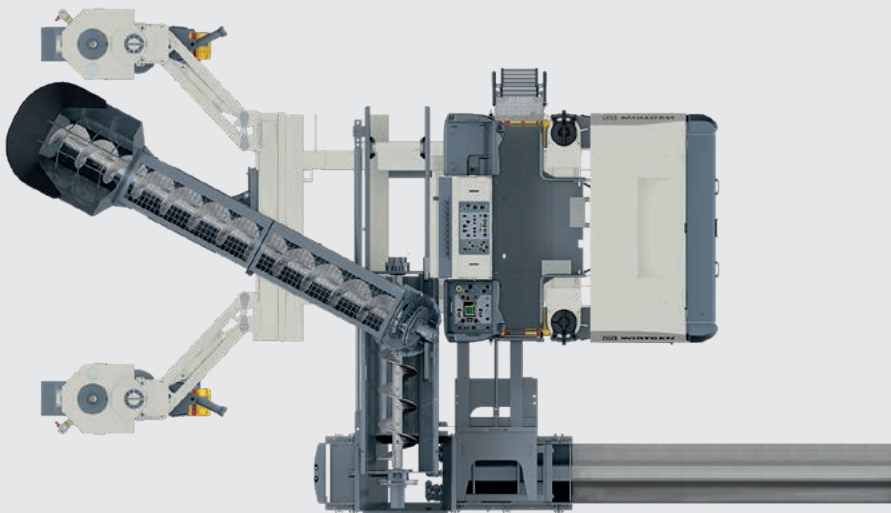
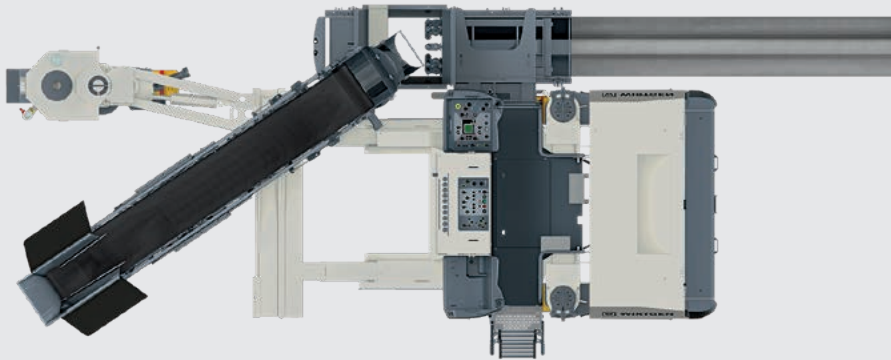
EXAMPLES OF MACHINE SETUP OPTIONS



er-specific paving requirements. In addition, standard interfaces even allow the slipform paver to be retrofitted with customer options.

One or two front track units with large pivoting angles and laterally telescoping rear track units with extension elements offer maximum flexibility. The stability of the SP 25i can be increased even further by means of the telescoping front frame section with two pivoting track units.

The offset paving mold can be mounted on the left or right side of the machine, adjusted in height hydraulically and telescoped to either side. Numerous adjustment options for the different concrete feeding systems and an additional cross-feeding auger ensure flexibility in concrete feeding.





11

1 | *The concrete feeding system - as shown here in belt conveyor design - can be slewed hydraulically to the left or right.*

Maximum flexibility in concrete feeding

THE IDEAL FEEDING SYSTEM FOR EACH PAVING SITUATION

No two job sites are alike: special requirements such as narrow passages, bends, large offsets or high concrete volumes often call for special concrete feeding solutions. The SP 25i has just the right answer to any of these situations: it can be fitted with an auger conveyor, belt conveyor or folding belt conveyor. The belt conveyor impresses with high conveying speed, ready access and ease of cleaning. The auger conveyor can be adjusted to an incline of up to 45°

and is capable of holding extra quantities to ensure continuous concrete supply during truck changes. And when equipped with the folding belt conveyor, the SP 25i can be transported with ease even on small transport vehicles.

The different concrete feeding systems offer continuously adjustable conveying speeds. The hopper at the lower end of the feeding system is capable of holding large quantities of freshly delivered concrete.



2 | The concrete feeding system can be adjusted hydraulically from the operator's platform.

3 | The hydraulically slewing cross-feeding auger is ideal for use as a buffer as it is capable of holding larger concrete volumes.



4 | The SP 25i can optionally be fitted with an auger conveyor in lieu of the belt conveyor.

Numerous options for mounting the paving mold

MOUNTING ON BOTH SIDES OF THE PAVER

A big mark in favor of the SP 25i: offset molds can be mounted on the left or right side of the machine. This feature enables both the paver and the mixer truck to move along with the flowing traffic while at the same time causing minimum disruptions.

In addition, the mold mount can be telescoped hydraulically by up to 3 ft 7 in (1,100 mm) to allow offset profiles to be paved far to one side of the machine frame. Height adjustment is effected via the track units.

1-2 | *Hydraulically telescoping offset paving mold.*

3 | *The quick-change mold-mounting system allows kerb and gutter profiles to be exchanged quickly and easily.*

Where complex paving situations require a specific connection of the mold to the machine frame, WIRTGEN offers solutions fully tailored to customer requirements.

Yet another highlight: the hydraulically operated quick-change mold-mounting system permits molds to be changed quickly and with only little effort. The operating principle is quite simple: lower machine, drive forward, secure - and here goes.



4 |



5 |



4-5 | The mold can be mounted on the left or right - modification is completed within an extremely short time.

Perfect preparation of the base using a trimmer

1 | *The trimmer offers numerous adjustment options via hydraulic cylinders.*



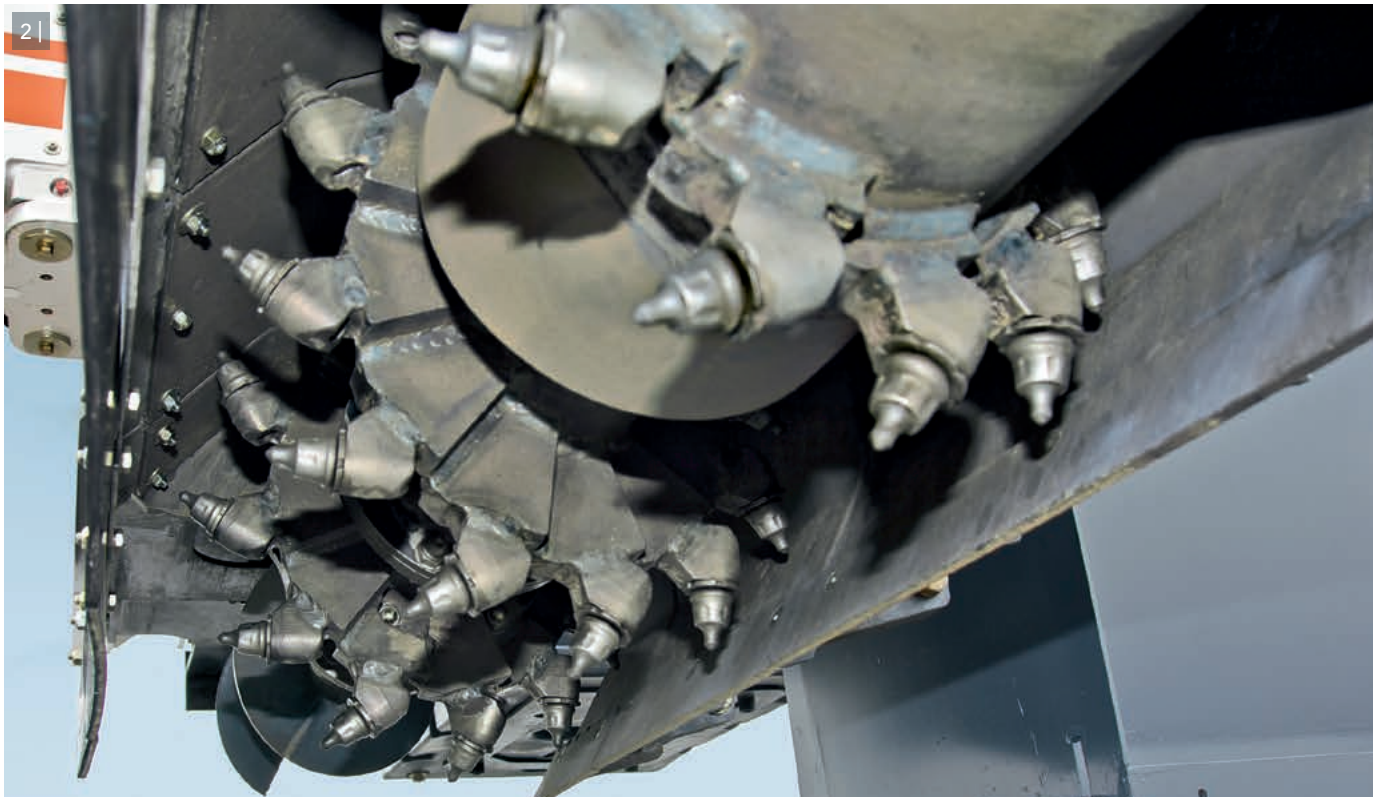
LEVEL BASE FOR A PERFECT PAVING PROCESS

The design of the trimmer is based on our unmatched expertise gained in several decades of experience in cutting technology. The trimmer is fitted with picks arranged in a helical pattern, fine-grading an insufficiently level base to ensure uniform profile paving. The trimmer is arranged right in front of the paving mold and can be adjusted in height and cross slope as

well as telescoped to either side. The unit has a basic width of 2 ft (600 mm) and can be extended in increments to a maximum width of 5 ft 3 in (1,600 mm).

Customized solutions – such as a trimmer conveying the material towards the periphery of the machine – can also be realized.

2 | *The trimmer fine-grades the previously compacted base to a working depth of up to 5.9 in (150 mm).*





1 | Transport on a low-loader truck - a perfect match!

Intelligent transport concept

OPTIMIZED MACHINE DIMENSIONS

Excellent maneuverability and an exceedingly compact design speed up loading and transport of the SP 25i slipform paver. Minimum effort is required to prepare the machine for transport.

The weather canopy can be lowered to transport height hydraulically, and the access ladder can be folded in for transport. And when equipped with the folding belt conveyor, the SP 25i can be transported with ease even on small transport vehicles.

2 | The weather canopy is lowered to transport height hydraulically.



3 | In folding design, the belt conveyor can be folded hydraulically for transport.



Technical specification

SP 25i

SP 25i	
Range of applications	Offset paving / Inset paving
Concrete Feeding System	
Belt conveyor	Length: 16 ft 1 in (4,900 mm); belt width: 2 ft (600 mm)
Belt conveyor, long (option)	Length: 19 ft 4 in (5,900 mm); belt width: 2 ft (600 mm)
Folding belt conveyor (option)	Length: 19 ft 8 in (6,000 mm); belt width: 2 ft (600 mm)
Auger conveyor (option)	Length: 15 ft 1 in (4,600 mm); auger diameter: 15.7 in (400 mm)
Auger conveyor, long (option)	Length: 18 ft 8 in (5,700 mm); auger diameter: 15.7 in (400 mm)
Concrete Equipment for Offset Paving	
Arrangement	Left/right
Lateral adjustment of mold	3 ft 7 in (1,100 mm)
Height adjustment of mold (option)	15.7 in (400 mm)
Max. mold height	6 ft 7 in (2,000 mm)* ¹
Max. mold width	12 ft (3,650 mm)* ¹
Cross-feeding auger	Length: 12 ft (3,650 mm); auger diameter: 15.7 in (400 mm)
Concrete Equipment for Inset Paving (Option)	
Slab paving mold	3 ft 3 in to 12 ft (1,000 mm to 3,650 mm)
Metering gate	3 ft 3 in to 12 ft (1,000 mm to 3,650 mm)
Cross-spreading auger	6 ft 7 in to 12 ft (2,000 mm to 3,650 mm)
Oscillating beam	6 ft 7 in to 12 ft (2,000 mm to 3,650 mm)
Super smoother	6 ft 7 in to 12 ft (2,000 mm to 3,650 mm)
Max. layer thickness	15.7 in (400 mm)* ¹
Vibration	
Connectors for hydraulic vibration	5 or 10 (option)
Connectors for electric vibration (option)	5 or 10
Trimmer (Option)	
Standard width	2 ft (600 mm)
Max. width	5 ft 3 in (1,600 mm)* ²
Working depth	0 to 5.9 in (0 to 150 mm)
Drum diameter with tools	19.7 in (500 mm)
Maximum lift	2 ft 7 in (775 mm)
Hydraulic height adjustment	15.7 in (400 mm)
Mechanical height adjustment	14.8 in (375 mm)
Lateral adjustment of trimmer	6 ft 3 in (1,900 mm)
Engine	
Engine manufacturer	Deutz
Type	TCD 4.1 L4
Cooling	Water
Number of cylinders	4
Rated power at 2,100 rpm	115 kW / 154 HP / 156 PS

*¹ = Please consult factory for different special applications

*² = Please consult factory for special widths

	SP 25i
Engine	
Displacement	246.5 c.i. (4,040 cm ³)
Fuel consumption, full load field mix	8 gal/h (30.2 l/h) 3.6 gal/h (13.5 l/h)
Sound power level in accordance with DIN EN 500-6 engine operator's platform	≤103 dB(A) ≥84 dB(A)
Exhaust emission standards	US EPA Tier 4f
Electrical System	
Voltage supply	24 V
Filling Capacities	
Fuel	99.1 gal (375 l)
AdBlue® / DEF* ³	5.3 gal (20 l)
Hydraulic oil	35.7 gal (135 l)
Water (option)	290.6 gal (2 x 145.3 gal) (1.100 l (2 x 550 l))
Driving Performance	
Operating speed	0 to 49.2 ft/min (0 to 15 m/min)
Travel speed	0 to 114.8 ft/min (0 to 35 m/min)
Track Units	
	Option
Number	4
Arrangement	1 x additional front
Dimensions (L x W x H)	5 ft 2 in x 11.8 in x 21.3 in (1,580 x 300 x 540 mm)
Height Adjustment of Machine	
Hydraulic height adjustment	4 ft 1 in (1,250 mm)
Mechanical height adjustment	22 in (560 mm)
Transport Dimensions (L x W x H)*⁴	
Basic machine without concrete feeding system	20 ft x 8 ft 2 in x 9 ft 6 in (6,100 mm x 2,500 mm x 2,900 mm)
Basic machine with belt conveyor	27 ft 3 in x 8 ft 2 in x 9 ft 8 in (8,300 mm x 2,500 mm x 2,950 mm)
Basic machine with folding belt conveyor	23 ft 3 in x 8 ft 2 in x 9 ft 8 in (7,100 mm x 2,500 mm x 2,950 mm)
Basic machine with auger conveyor	25 ft 11 in x 8 ft 2 in x 9 ft 8 in (7,900 mm x 2,500 mm x 2,950 mm)
Belt conveyor without chute	18 ft x 3 ft 5 in x 2 ft 3 in (5,500 mm x 1,050 mm x 680 mm)
Folding belt conveyor without chute	21 ft 8 in x 3 ft 5 in x 3 ft 1 in (6,600 mm x 1,050 mm x 930 mm)
Auger conveyor without chute	16 ft 9 in x 3 ft 9 in x 3 ft 3 in (5,100 mm x 1,150 mm x 1,000 mm)
Trimmer	7 ft 7 in x 2 ft 7 in x 5 ft 6 in (2,300 mm x 800 mm x 1,680 mm)
Machine Weights*⁵	
	Four-track design
Empty weight of basic machine with belt conveyor	34,172 lbs (15,500 kg)
Operating weight, CE* ⁶ of basic machine with belt conveyor	35,494 lbs (16,100 kg)
Max. operating weight, full tanks, with trimmer, auger conveyor, without paving mold	44,093 lbs (20,000 kg)
Trimmer, working width 2 ft (600 mm)	2,866 lbs (1,300 kg)
Belt conveyor	1,874 lbs (850 kg)
Folding belt conveyor	2,028 lbs (920 kg)
Auger conveyor	2,866 lbs (1,300 kg)

*³ = AdBlue® is a registered trademark of the Association of the Automotive Industry (Verband der Automobilindustrie e. V.; VDA)

*⁴ = All specifications are minimum specifications without offset mold mounted on the paver

*⁵ = Weights depend on the paver's range of equipment and working width

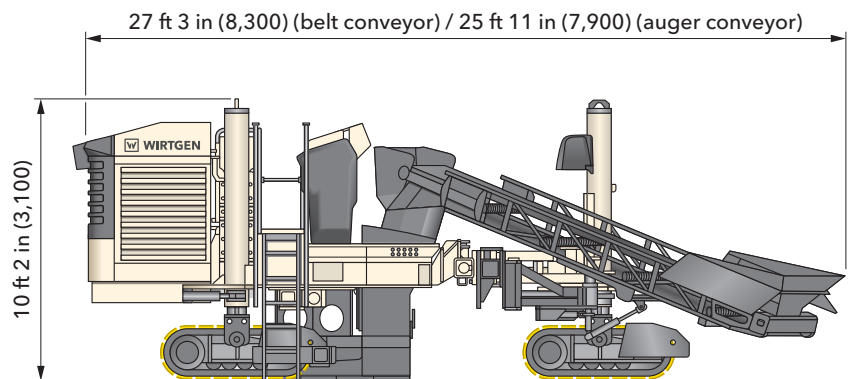
*⁶ = Weight of machine, half weight of all operating materials, machine operator (165 lbs (75 kg)), on-board tools, no optional equipment features

Dimensions

SP 25i

42
43

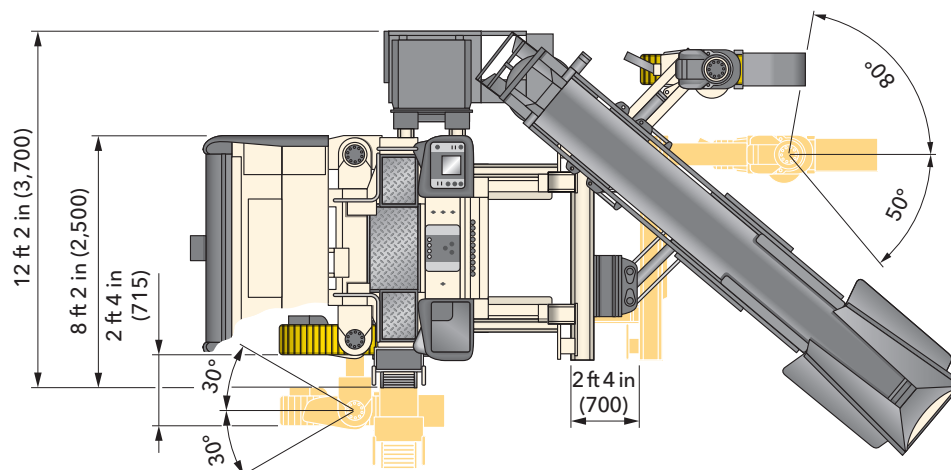
Offset machine: side view with belt conveyor



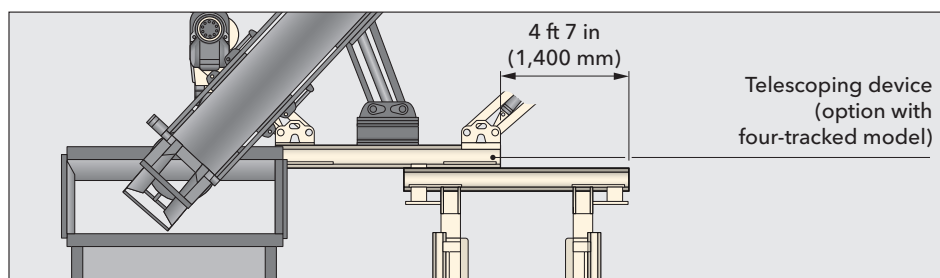
Direction of operation



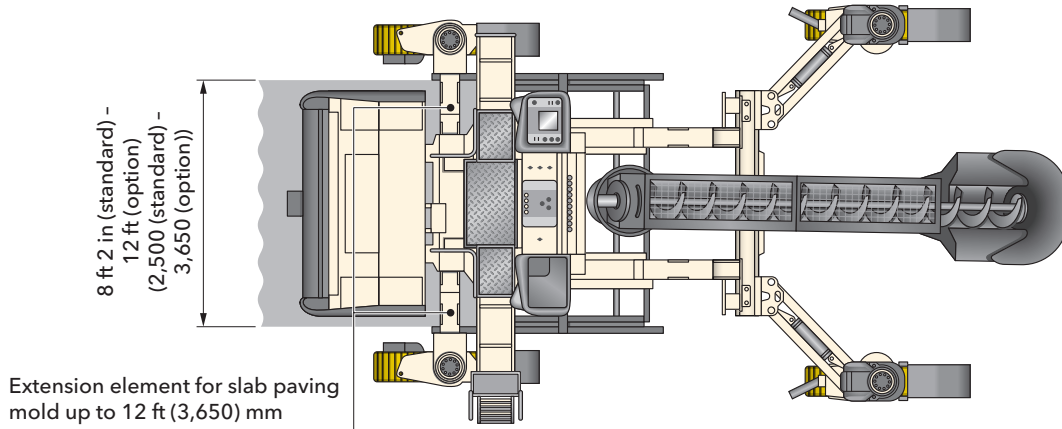
Offset machine: arrangement of track units



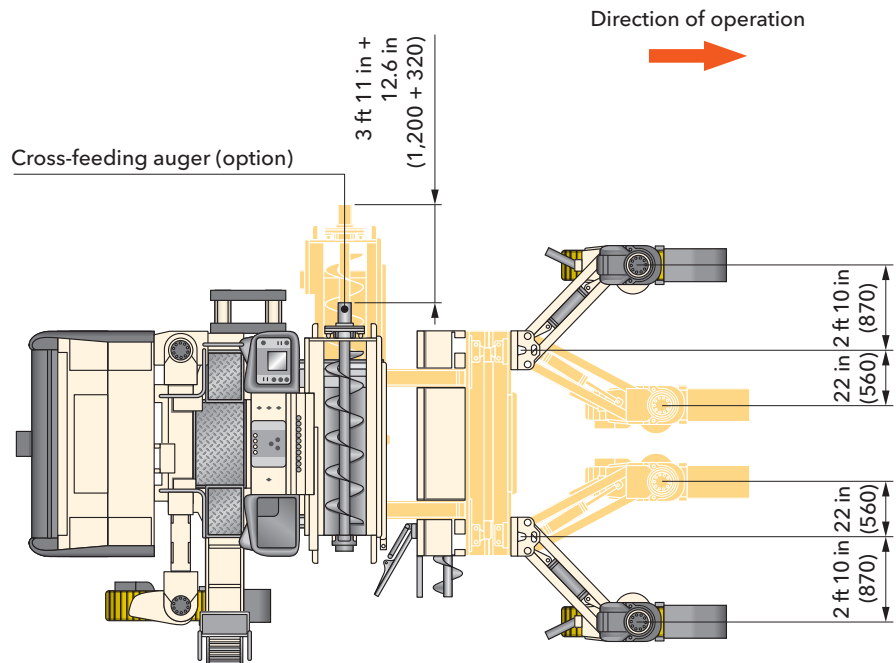
Telescoping feature for front section of machine frame



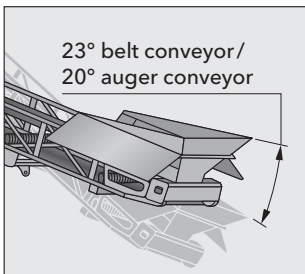
Inset machine: top view with auger conveyor



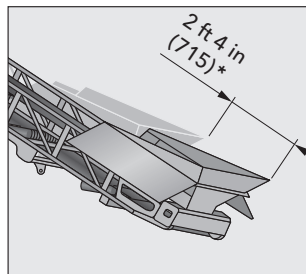
Offset machine: arrangement of track units and optional equipment features



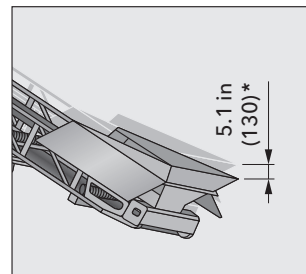
Incline of concrete feeding system



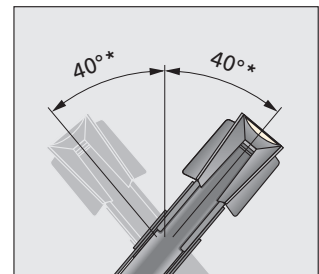
Longitudinal adjustment of belt conveyor



Mechanical height adjustment of belt conveyor



Slewing angle of belt conveyor



Dimensions in American standard and mm

* = Details also applicable to auger conveyor

Standard equipment

SP 25i

44
45

Basic Machine	
99 gal fuel tank	■
66 gal hydraulic oil tank	■
Electrical system (24 V)	■
Hydraulic pump system	■
Pressure-and-flow-controlled hydraulic pump, open circuit, for driving the hydraulic or electric vibrators or for driving the track units in second gear	■
Pressure-controlled hydraulic pump, open circuit, for all cylinder functions	■
Proportionally controlled hydraulic pump, closed circuit, for driving the auger conveyor or belt conveyor	■
Main Frame and Height Adjustment	
Sturdy machine frame for accommodating two track units at the rear and one or two track units at the front	■
Telescoping in length by 2 ft 3 in to adjust the machine to site conditions or to allow mounting of a trimmer	■
Telescoping in width by 2 ft 4 in hydraulically at the rear by extending one or both rear track units to either improve machine stability in offset application when paving specific profiles, or to enable paving molds with a working width of up to 8 ft 2 in to be mounted between the rear track units	■
Crawler Units and Chassis Linkage	
Hydraulically driven track units, 5 ft 1 in long, gear ratio 1:122, including towing device	■
Continuously adjustable paving speed from 0 to 49 ft/min	■
Continuously adjustable transport speed from 0 to 115 ft/min	■
Hydraulic leveling cylinders with a stroke of 4 ft 1 in	■
Model with one rigid front track unit connection	□
Three track units fitted with triple-grouser steel track pads	□
Machine Control, Leveling and Steering	
Digital control system with LCD display providing the operator with all pertinent information and allowing parameter settings, e.g. free choice of languages (D/GB/F/E/NL), to be made via a menu	■
Proportional electrohydraulic leveling and steering by means of a PLC system including two leveling sensors, two steering sensors and one slope sensor	■
Sensor mounting brackets, adjustable in height and range	■
Vibration	
Hydraulic vibrator drive for up to 5 vibrators	□
Two straight vibrators D66, hydraulically driven	□
Concrete Feeding System	
Belt conveyor 16 ft 1 in x 2 ft with reversible hydraulic drive, hydraulically adjustable	□
Steel chute	□
Concrete Equipment for Offset Paving	
The offset paving molds can be mounted on the left or right side of the machine	■
Offset mold mount telescoping hydraulically to one side; stroke: 3 ft 7 in	□
Offset paving mold up to 2 ft wide, max. height of 15.7 in	□
Miscellaneous	
Pre-fitting for installing the WITOS FleetView control unit	■
European design type certification, EuroTest mark and CE conformity	■
Standard painting in RAL 9001 (cream)	□
Lighting system including 3 halogen working lights, 24 V	□

- = Standard equipment
- = Standard equipment, can be replaced with optional equipment if desired
- = Optional equipment

Optional equipment

SP 25i

Crawler Units and Chassis Linkage	
Model with one pivoting front track unit connection (parallelogram arm)	<input type="checkbox"/>
Fourth track unit and two pivoting front track unit connections (parallelogram arms)	<input type="checkbox"/>
Three track units fitted with polyurethane track pads	<input type="checkbox"/>
Four track units fitted with triple-grouser steel track pads	<input type="checkbox"/>
Four track units fitted with polyurethane track pads	<input type="checkbox"/>
Extension element for telescoping device of machine frame, front	<input type="checkbox"/>
Frame extension elements, rear, for 8 ft 2 in to 12 ft wide paving molds	<input type="checkbox"/>
Frame extension elements at front, for molds from 8 ft 2 in - 12 ft width	<input type="checkbox"/>
Frame extension elements, front, for 8 ft 2 in to 12 ft wide paving molds	<input type="checkbox"/>
Machine Control, Leveling and Steering	
Two slab tracers	<input type="checkbox"/>
Third height and steering sensor for paving in corners with tight radii	<input type="checkbox"/>
Pre-fitting for 3D leveling	<input type="checkbox"/>
Additional slope sensor for 3D leveling	<input type="checkbox"/>
Laser transmitter for AutoPilot 2.0 including stand	<input type="checkbox"/>
Laser receiver for AutoPilot 2.0	<input type="checkbox"/>
Ultrasonic sensor for AutoPilot 2.0	<input type="checkbox"/>
Total station Leica iCON robot 50 for AutoPilot 2.0	<input type="checkbox"/>
Additional tablet computer with case for AutoPilot 2.0	<input type="checkbox"/>
Concrete Spreading Equipment for Slab Paving	
Cross-spreading auger, 8 ft 2 in long, suitable in particular for use with safety barrier molds and trimmer	<input type="checkbox"/>
Spreading auger 6.00 ft for molds	<input type="checkbox"/>
Spreading auger - extension element 1.00 ft, right-hand pitch	<input type="checkbox"/>
Spreading auger - extension element 1.50 ft, right-hand pitch	<input type="checkbox"/>
Spreading auger - extension element 2.00 ft, right-hand pitch	<input type="checkbox"/>
Spreading auger - extension element 3.00 ft, right-hand pitch	<input type="checkbox"/>
Grout box auger without crown - basic width 6.00 ft	<input type="checkbox"/>
Grout box auger - extension element 1.00 ft	<input type="checkbox"/>
Grout box auger - extension element 1.50 ft	<input type="checkbox"/>
Grout box auger - extension element 2.00 ft	<input type="checkbox"/>
Grout box auger - extension element 3.00 ft	<input type="checkbox"/>
Vibration	
Electric vibrator drive with 10-kVA generator for up to 5 vibrators	<input type="checkbox"/>
Hydraulic and electric vibrator drive for up to 5 vibrators	<input type="checkbox"/>
Two curved vibrators D66, hydraulically driven	<input type="checkbox"/>
Two straight vibrators D66, electrically driven	<input type="checkbox"/>
Two curved vibrators (D66), electrically driven	<input type="checkbox"/>
Hydraulic vibration, addition (5x)	<input type="checkbox"/>
Electric vibration, addition (5x)	<input type="checkbox"/>
Straight vibrator D66, hydraulically driven	<input type="checkbox"/>

- = Standard equipment
- = Standard equipment, can be replaced with optional equipment if desired
- = Optional equipment

Optional equipment

SP 25i

46
47

Vibration	
Curved vibrator D66, hydraulically driven	<input type="checkbox"/>
Straight vibrator D66, electrically driven	<input type="checkbox"/>
Curved vibrator (D66), electrically driven	<input type="checkbox"/>
Tamper bar with/without crown - basic width 6 ft	<input type="checkbox"/>
Tamper bar - extension element 1.00 ft	<input type="checkbox"/>
Tamper bar - extension element 1.50 ft	<input type="checkbox"/>
Tamper bar - extension element 2.00 ft	<input type="checkbox"/>
Tamper - extension element 3.00 ft	<input type="checkbox"/>
Concrete Equipment for Slab Paving	
Paving mold series 1200i - basic width 3.0 ft with ESC	<input type="checkbox"/>
One-piece sideplate for paving mold series 1200i	<input type="checkbox"/>
Two-piece sideplate for paving mold series 1200i	<input type="checkbox"/>
Paving mold series 1200i - extension element 1.0 ft	<input type="checkbox"/>
Paving mold series 1200i - extension element 1.5 ft	<input type="checkbox"/>
Paving mold series 1200i - extension element 2.0 ft	<input type="checkbox"/>
Paving mold series 1200i - extension element 3.0 ft wide	<input type="checkbox"/>
Configuration with suspension for paving mold with a working width of more than 6.0 ft	<input type="checkbox"/>
Metering gate for molds 3.00 ft	<input type="checkbox"/>
Hydraulic height adjustment for metering gate	<input type="checkbox"/>
Metering gate - extension element 1.00 ft	<input type="checkbox"/>
Metering gate - extension element 1.50 ft	<input type="checkbox"/>
Metering gate - extension element 2.00 ft	<input type="checkbox"/>
Metering gate - extension element 3.00 ft	<input type="checkbox"/>
Super smoother - basic width 6.0 ft	<input type="checkbox"/>
Super smoother - extension element 1.00 ft	<input type="checkbox"/>
Super smoother - extension element 2.00 ft	<input type="checkbox"/>
Concrete Feeding System	
Belt conveyor 19 ft 4 in x 2 ft with reversible hydraulic drive, hydraulically adjustable	<input type="checkbox"/>
Belt conveyor 19 ft 8 in x 2 ft, in folding design, with reversible hydraulic drive, hydraulically adjustable	<input type="checkbox"/>
Charging auger 15 ft 1 in x 15.7 in with reversible hydraulic drive, hydraulically adjustable	<input type="checkbox"/>
Auger conveyor 18 ft 8 in x 15.7 in with reversible hydraulic drive, hydraulically adjustable	<input type="checkbox"/>
Steel-rubber chute	<input type="checkbox"/>
Concrete Equipment for Offset Paving	
Offset mold mount telescoping hydraulically to both sides; stroke: 3 ft 7 in	<input type="checkbox"/>
Offset paving mold from 2 ft - 3 ft 11 in wide	<input type="checkbox"/>
Offset paving mold from 3 ft 11 in - 5 ft 11 in wide (max. height of 15.7 in)	<input type="checkbox"/>
Offset paving mold up to 2 ft 11 in high, max. base width of 2 ft, including hopper	<input type="checkbox"/>
Offset paving mold up to 4 ft 3 in high, max. base width of 2 ft, including hopper	<input type="checkbox"/>
Split offset paving mold up to 2 ft wide, max. height of 15.7 in	<input type="checkbox"/>
Split offset paving mold from 2 ft to 3 ft 11 in wide, max. height of 15.7 in	<input type="checkbox"/>
Split combined offset mold up to 2 ft 6 in in width and a maximum of 15.7 in in height	<input type="checkbox"/>
Split combined offset mold up to 3 ft 7 in in width and a maximum of 15.7 in in height	<input type="checkbox"/>

- = Standard equipment
- = Standard equipment, can be replaced with optional equipment if desired
- = Optional equipment

Concrete Equipment for Offset Paving	
Version without offset molds	<input type="checkbox"/>
Split offset paving mold up to 2 ft wide, max. height of 15.7 in	<input type="checkbox"/>
Split offset paving mold from 2 ft to 3 ft 11 in wide, max. height of 15.7 in	<input type="checkbox"/>
Profile insert for split combined offset mold up to 2 ft 6 in in width	<input type="checkbox"/>
Profile insert for split combined offset mold up to 3 ft 7 in in width	<input type="checkbox"/>
Height adapter for split offset paving molds	<input type="checkbox"/>
Height-adjustable mold mount with 15.7 in lift for split offset mold	<input type="checkbox"/>
Hydraulic quick-change system for offset paving mold (one-piece mold)	<input type="checkbox"/>
Additional adapter plate for quick-change system	<input type="checkbox"/>
Hydraulic quick-change system for offset paving mold (two-piece mold)	<input type="checkbox"/>
Set of hydraulic components for adjusting the sideplate of an EV offset paving mold	<input type="checkbox"/>
Set of hydraulic components for adjusting the side header of an AV offset mold	<input type="checkbox"/>
Offset Trimmer	
Preliminary equipment for installing a trimmer	<input type="checkbox"/>
Trimmer, basic width, 2 ft, for mounting on the left side	<input type="checkbox"/>
Trimmer - extension 8 in wide, for mounting on the left side	<input type="checkbox"/>
Trimmer - extension 15.7 in wide, for mounting on the left side	<input type="checkbox"/>
Trimmer, basic width, 2 ft for mounting on the right side	<input type="checkbox"/>
Trimmer - extension 8 in wide, for mounting on the right side	<input type="checkbox"/>
Trimmer - extension 15.7 in wide, for mounting on the right side	<input type="checkbox"/>
Operator's Platform	
Weather umbrella for operator's platform	<input type="checkbox"/>
Weather canopy for operator's platform, hydraulically telescoping in height	<input type="checkbox"/>
Miscellaneous	
Painting in one special color (RAL)	<input type="checkbox"/>
Painting in two special colors (RAL)	<input type="checkbox"/>
Painting in maximum two special colors with the lower part of the machine painted in special color (RAL)	<input type="checkbox"/>
High-performance lighting system including 3 LED working lights, 24 V	<input type="checkbox"/>
Lighting system including 4 halogen working lights, 24 V	<input type="checkbox"/>
High-performance lighting system including 4 LED working lights, 24 V	<input type="checkbox"/>
Hydraulic high-pressure water cleaning system with 145 gal plastic tank	<input type="checkbox"/>
Additional water pump, 24 V	<input type="checkbox"/>
Additional plastic water tank, 145 gal	<input type="checkbox"/>
Truck pushing device	<input type="checkbox"/>
Stringline tensioning system, complete with 3,280 ft 10 in steel wire rope	<input type="checkbox"/>
Additional tensioning winch for stringline tensioning system	<input type="checkbox"/>
Stringline tensioning system, complete with 4 x 984 ft nylon rope	<input type="checkbox"/>
Radius kit, fibreglass rod as stringline replacement for paving in corners with different radii	<input type="checkbox"/>
Machine commissioning (day rate)	<input type="checkbox"/>
Export packaging	<input type="checkbox"/>

- = Standard equipment
- = Standard equipment, can be replaced with optional equipment if desired
- = Optional equipment

WIRTGEN GROUP

WIRTGEN AMERICA Inc.
6030 Dana Way · Antioch, TN 37013, USA
Phone: (615) 501-0600 · Fax: (615) 501-0691
Internet: www.wirtgen-group.com/america

