

Technical information

SUPER 700i



Tracked paver SUPER 700i

Mini Class

TECHNICAL HIGHLIGHTS

- > Maximum paving width 20 in. – 10 ft. 6 in. (0.5–3.2 m)
- > Maximum laydown rate 275 tons/h (250 tonnes/h)
- > Transport width 4 ft. 7 in. (1.4 m)
- > Engine output: 74 hp (55.4 kW) at 2,200 rpm

SUPER 700i - great things come in small packages

With its compact dimensions, variable pave width and powerful performance, the SUPER 700i is ideal for pavement repairs and paving small areas.

The SUPER 700i is a highly compact small paver suitable for a wide range of applications. Whether paving on narrow paths, close to walls and edges, between streetcar tracks, or inside buildings: the Mini Class demonstrates the full range of its capabilities specially when working in confined spaces.



TECHNICAL DATA	SUPER 700i
Power unit	
Engine	
> Version	Liquid-cooled 4-cylinder diesel engine
> Manufacturer	Deutz
> Type	TCD 2.9 L4
Output	
> Nominal	74 hp (55.4 kW) at 2,200 rpm
> ECO mode	72 hp (54.7 kW) at 1,800 rpm
Emissions information	
> Exhaust emission standards	EU Stage V, US EPA Tier 4f
> Exhaust gas after-treatment	DOC, DPF
Fuel tank	21 gallons (US) (80 liters)
Undercarriage	
Crawler tracks	
> Version	Fitted with rubber pads
> Ground contact	4 ft. 11 in. x 7 in. (1,500 x 180 mm)
> Track tension adjuster	Spring assembly
> Lubrication of track rollers	Lifetime
Traction drive	Separate hydraulic drive and electronic control for each crawler track
Speeds	
> Paving	Up to 98 fpm (30 m/min.), infinitely variable
> Travel	Up to 2.2 mph (3.6 km/h), infinitely variable
Material hopper	
Hopper capacity	12,790 lbs. (5.8 tonnes)
Width	9 ft. 6 in. (2,900 mm)
Dump height	1 ft. 11 in. (590 mm) (bottom of material hopper)
Push-rollers	
> Standard	Oscillating, fold up with the hopper wings
Position	Adjustable by 4 in. (10 cm) to the front, 20 in. (50 cm) to the left

Conveyors and augers

Conveyor

> Version	1, with replaceable feeder bars; conveyor movement is reversible
> Drive	Hydraulic
> Speed	Up to 66 fpm (20 m/min.), infinitely variable (manual or automatic)

Augers

> Version	2, mounted overhung; auger rotation is reversible
> Diameter	12 in. (300 mm)
> Drive	Separate hydraulic drive for each auger

Height

> Standard	Infinitely variable by 4 in. (10 cm), mechanical
> Option	Infinitely variable by 4 in. (10 cm), hydraulic

Screed options

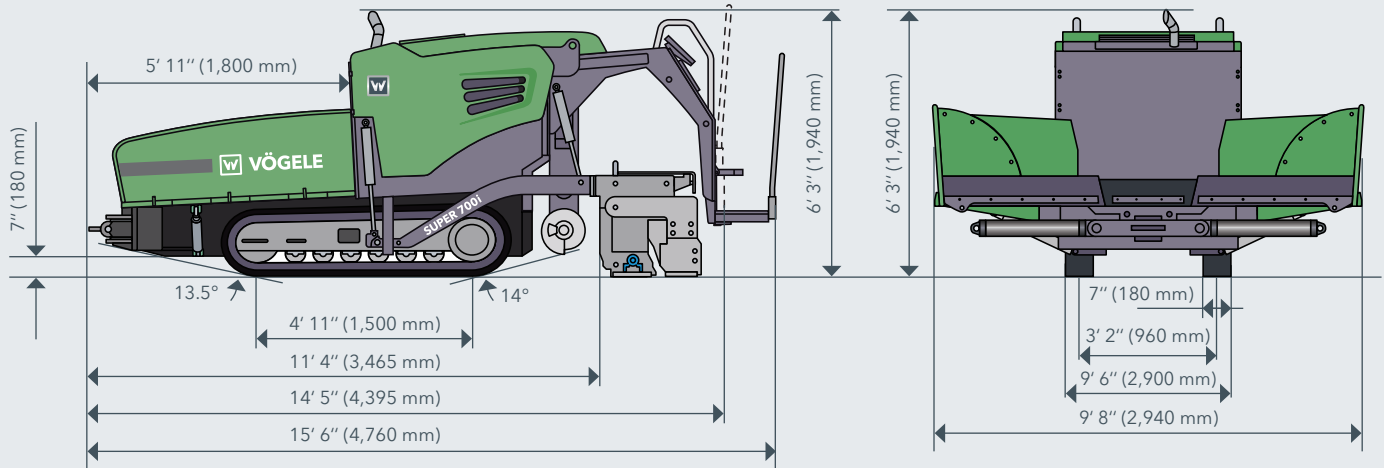
	AB 200	AB 220
Basic width	3 ft. 7 in. to 6 ft. 6 in. (1.1 m to 2 m)	3 ft. 11 in. to 7 ft. 3 in. (1.2 m to 2.2 m)
Maximum width	10 ft. 6 in. (3.2 m)	10 ft. 6 in. (3.2 m)
Minimum width	20 in. (0.5 m)	
Compacting system	V	
Layer thickness	Up to 6 in. (15 cm)	
Screed heating		
> Version	Electric, by heating rods	
> Power supply	Three-phase AC generator	

Dimensions (transport) and weights

Clearance width	4 ft. 7 in. (1.4 m)
Length	Tractor unit and screed
> AB 200/220	14 ft. 5 in. (4.4 m)
Weights	Tractor unit and screed
> AB 200 V	14,330 lbs (6,500 kg)
> AB 220 V	14,550 lbs (6,600 kg)

Key: DOC = Diesel Oxidation Catalyst, DPF = Diesel Particulate Filter, AB = Extending Screed, V = with vibrators

SIDE AND FRONT VIEW



THE HIGHLIGHTS OF THE SUPER 700i

- > Wide range of paving applications from 20 in. - 10 ft. 6 in. (0.5 - 3.2 m) for a large number of paving projects
- > The ideal option for highly confined job sites thanks to its compact dimensions
- > Multiple feed options with the asymmetrical material hopper
- > Simple operation with the innovative and user-friendly ErgoBasic operating concept
- > Powerful and cost-efficient thanks to the 74 hp (55.4 kW) diesel engine and ECO mode
- > Positive tracking and precise steering delivered by traction drives in closed loops
- > AB 200 V extending screed or AB 220 V extending screed with vibrators

FEATURES	SUPER 700i
> Powerful three-phase AC generator	■
> Simple, ergonomic ErgoBasic operating concept	■
> Weather shield for paver operator's platform	□
> 4 working lights	■
> Rotary beacon	■
> Reverse bleeper	■
> Oscillating push-rollers	■
> Asymmetrical material hopper	□
> Manual auger height adjustment	■
> Hydraulic auger height adjustment	□
> Sonic sensor to control augers	■
> Screed Assist (hydraulic)	□
> Niveltronic Basic	■
> Variety of grade and slope control sensors	□
> Cleaning system with tank and hose reel	□
> WITOS FleetView	■

This list is just an extract from the scope of supply.

■ Standard feature □ Option

Wirtgen America, Inc.

6030 Dana Way
 Antioch, TN 37013
 USA

T: +1 615 501-0600
 F: +1 615 501-0691
 M: info.america@wirtgen-group.com

➤ www.wirtgen-group.com/america

