

Technical information

# SUPER 1300-3(i)



## Tracked paver SUPER 1300-3(i)

Compact Class

### TECHNICAL HIGHLIGHTS

- > Maximum pave width 5 m
- > Maximum laydown rate 350 t/h
- > Transport width 1.85 m
- > Engine output: 74.4 kW at 2,000 rpm

### SUPER 1300-3(i) - compact and powerful

The SUPER 1300-3(i) is an extremely compact paver and yet has a high laydown rate and a pave width of up to 5 m.

With a range of pave widths extending from 0.75 m to 5 m, the SUPER 1300-3(i) copes effortlessly with combined footpaths and cycle paths, farm tracks and minor roads and squares. The powerhouse is driven by a modern 74.4 kW diesel engine.



TECHNICAL DATA	SUPER 1300-3i	SUPER 1300-3
<b>Power unit</b>		
	for EU/EFTA countries/USA/Canada	for all other countries
<b>Engine</b>	liquid-cooled 4-cylinder diesel engine	
> Version	Deutz	
> Manufacturer	TCD 3.6 L4	
> Type		
<b>Output</b>		
> Nominal	74.4 kW at 2,000 rpm	
> ECO mode	68.7 kW at 1,600 rpm	
<b>Emissions information</b>		
> Exhaust emissions standards	EU Stage V, US EPA Tier 4f	EU Stage 3a, US EPA Tier 3
> Exhaust gas after-treatment	DOC, DPF, SCR	
> Guaranteed sound power level	L <sub>WA</sub> = 105 dB(A) (2000/14/EG, EN ISO 3744; EN 500-6)	
> Sound pressure level at the operator's stations	L <sub>PA</sub> ≤ 85 dB(A) (EN ISO 11201; EN 500-6)	
<b>Fuel tank</b>	110 litres	
<b>Undercarriage</b>		
<b>Crawler tracks</b>		
> Version	with rubber pads	
> Ground contact	1,990 x 260 mm	
> Track tension adjuster	spring assembly	
> Lubrication of track rollers	lifetime	
<b>Traction drive</b>		
> Version	separate hydraulic drive and electronic control provided for each crawler track	
<b>Speeds</b>		
> Paving	up to 30 m/min., infinitely variable	
> Travel	up to 4.5 km/h, infinitely variable	
<b>Material hopper</b>		
<b>Hopper capacity</b>	10 t	
<b>Width</b>	3,350 mm	
<b>Feed height</b>	580 mm (bottom of material hopper)	
<b>Push-rollers</b>		
> Standard	oscillating	
Position	can be displaced forwards by 80 mm	

**Conveyors and augers**

**Conveyors**

> Version	2, with replaceable feeder bars, conveyor movement reversible for a short time
> Drive	separate hydraulic drive provided for each conveyor
> Speed	up to 29 m/min., infinitely variable (manual or automatic)

**Augers**

> Version	2, with replaceable auger blades, auger rotation reversible
> Diameter	300 mm
> Drive	separate hydraulic drive provided for each auger
> Speed	up to 85 rpm, infinitely variable (manual or automatic)

**Auger height**

> Standard	infinitely variable by 13 cm, mechanical
> Option	infinitely variable by 13 cm, hydraulic

**Screed AB 340**

<b>Basic width</b>	1.8 m to 3.4 m
<b>Maximum width (TV)</b>	5 m
<b>Min. pave width with system for pave width reduction</b>	0.75 m
<b>Reduction in width</b>	by cut-off shoes 2 x 52.5 cm
<b>Compacting systems</b>	V, TV
<b>Layer thickness</b>	up to 25 cm
<b>Screed heating</b>	
> Version	electric by heating rods
> Power supply	three-phase AC generator

**Dimensions (transport) and weights**

**Length**

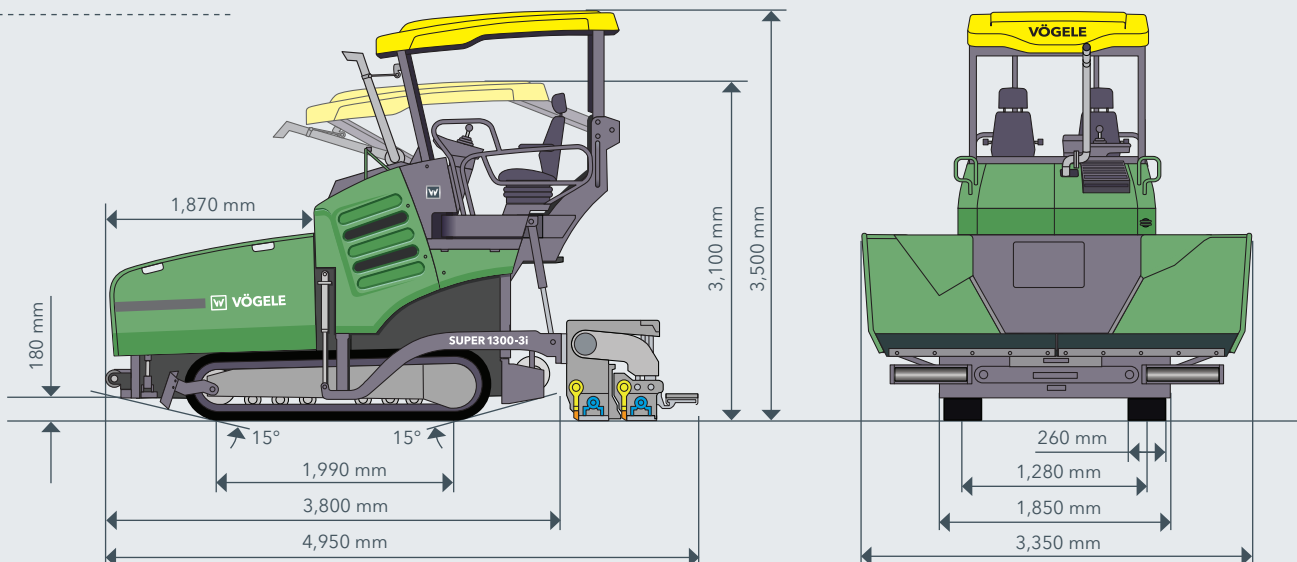
> Version	tractor unit with screed
> AB 340 TV	4.95 m

**Weights**

> Version	tractor unit with screed AB 340 TV	
> Pave widths up to 3.4 m	SUPER 1300-3i: 10,850 kg	SUPER 1300-3: 10,750 kg
> Pave widths up to 5 m	SUPER 1300-3i: 11,500 kg	SUPER 1300-3: 11,400 kg

Key: DOC = Diesel Oxidation Catalyst, DPF = Diesel Particulate Filter, SCR = Selective Catalytic Reduction, AB = Extending Screed, V = with vibrators, TV = with tamper and vibrators

SIDE AND FRONT VIEW



### THE HIGHLIGHTS OF THE SUPER 1300-3(i)

- > Large range of applications for pave widths up to 5 m
- > Powerful and economical drive concept with a modern 74.4 kW diesel engine
- > Large material hopper and PaveDock Assistant communication system ensure optimum feeding with mix
- > ErgoPlus 3 operating system with numerous convenient and automatic functions
- > AutoSet Basic function for quick and safe repositioning of the paver on the job site
- > AB 340 Extending Screed ensures a perfect paving result

FEATURES	SUPER 1300-3i	SUPER 1300-3
> Powerful three-phase AC generator with generator management	■	■
> Electronic engine management with ECO mode and controlled fan drive	■	■
> Wide push-rollers can be displaced forwards by 80 mm	■	■
> Manual hopper front	■	■
> Hydraulic hopper front	□	□
> PaveDock Assistant communication system	□	□
> AutoSet Basic	□	□
> Hardtop with sunshades	□	□
> Working lights, halogen	■	■
> Working lights, LED	□	□
> Simple, ergonomic ErgoPlus 3 operating concept	■	■
> 2 ErgoPlus 3 screed operator's consoles with colour display	■	■
> 2 comfortable operator's seats	■	■
> 2 ergonomic heated operator's seats	□	□
> Mechanical sensor to control augers	■	■
> Sonic sensor to control augers	□	□
> Niveltronic Plus System for Automated Grade and Slope Control	□	□
> Variety of grade and slope control sensors	□	□
> Washdown system with hose reel	□	□

This list is just an extract of the scope of supply.  
Standard features and options may differ by sales region.

■ Standard feature    □ Option

#### JOSEPH VÖGELE AG

Joseph-Vögele-Str. 1  
67075 Ludwigshafen  
Germany

T: +49 621 8105-0  
F: +49 621 8105-461  
M: marketing@voegele.info

▶ [www.voegele.info](http://www.voegele.info)

